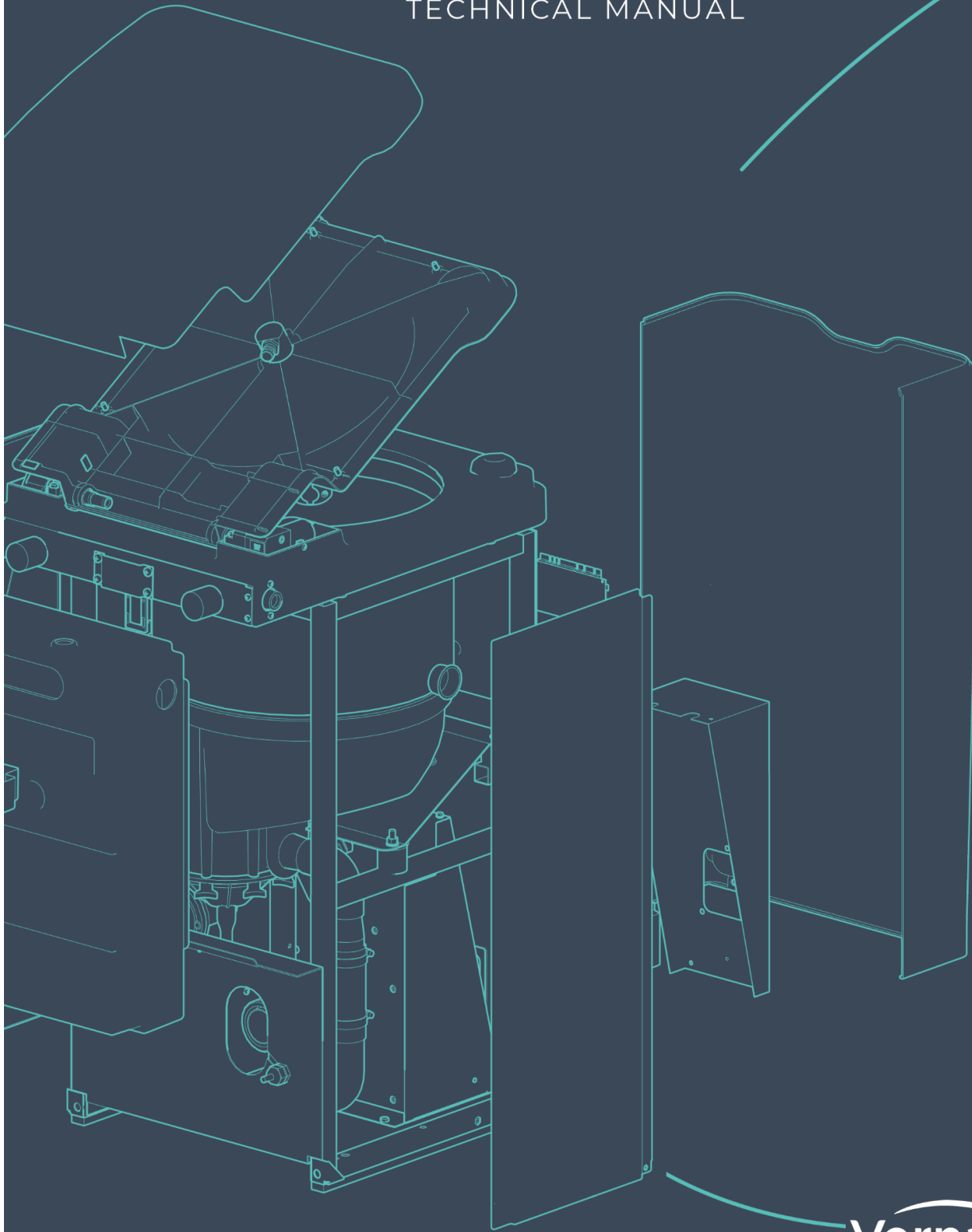


VORTEX AIR

TECHNICAL MANUAL



Vernacare

Vernacare

EBOS
HEALTHCARE

ESSENTIAL TO HEALTH



Table of Contents

1.	EU Declaration of Conformity	4
2.	Warranty Information	6
2.1.	Warranty Terms	6
2.2.	Conditions of Warranty	6
2.3.	Service Contracts	6
3.	Machine Specifications	7
3.1.	General Overview	7
3.2.	Dimensions	9
3.3.	General Assembly	10
3.4.	Electrical Specifications	11
3.4.1.	AC Motor	11
3.4.2.	Inverter	11
3.4.3.	Pump	11
4.	Installation & Commissioning	12
4.1.	Quick Install Guide	12
	Connection Points	12
4.2.	Sitting & Fixing	15
4.3.	Water Inlet & Drainage Requirements	16
4.4.	Environmental Considerations	16
5.	Operation	17
5.1.	Instructions For Use	17
5.2.	Do's & Don'ts	17
5.3.	Icons & Error Messages	18
5.4.	Cycle Sequences	19
5.4.1.	Eco Mode	19
5.4.2.	Standard Mode	19
5.4.3.	Heavy Duty Mode	20
5.5.	PCB Diagram	21
5.6.	'Engineers Mode' Instructions	22
5.6.1.	Priming the Pumps & Opening the Drain Valve	22
5.6.2.	Setting 'AUTO START' & Adjusting Cycle Modes	23



- 5.7. Care & Maintenance 24
- 6. Assembly Diagrams & Descriptions 25
 - 6.1. Electrical Assembly 25
 - 6.2. Diaphragm/Drain Valve Assembly 26
 - 6.3. Safety Switch Assembly 27
 - 6.4. Rotary Actuator..... 28
 - 6.5. Lid Assembly 29
 - 6.6. Pneumatics Assembly 30
 - 6.7. AC Motor Assembly..... 31
 - 6.8. Interlock Assembly..... 32
 - 6.9. Water Tank..... 33
 - 6.10. Sensor Schematic 34
 - 6.11. AC Motor Wiring Diagram..... 35
 - 6.12. Electrical Enclosure 35
- 7. Fault Finding Guide 36

1. EU Declaration of Conformity

The undersigned declares that the products described in this document conform to the European Directives listed. **General**

<p>Product Name: (as per technical file)</p> <p>Legal Manufacturer:</p> <p>EU Authorised Representative:</p> <p>ISO 9001:2015 Certificate Number:</p>	<p>Macerator Disposal Unit</p> <p>Vernacare Limited Folds Road Bolton BL1 2TX Globalnorm GmbH Kurfürstenstr. 112 10787 Berlin Germany FM 648268</p>
---	---

Appendix I – Applicable Standards

This present declaration is also in conformity with the following European standards and Common Specifications:

Standard/Document Name	Description
2006/42/EC	Directive 2006/42/EC of the European Parliament and of the Council of 17 May 2006 on machinery, and amending Directive 95/16/EC (recast) – OJ L 157 of 9.6.2006, page 24-86
2011/65/EU	Directive 2011/65/EU of the European Parliament and of the Council of 8 June 2011 on the restriction of the use of certain hazardous substances in electrical and electronic equipment – OJ 174, 1.7.2011, p. 88-110
2014/30/EU	Directive 2014/30/EU of the European Parliament and of the Council of 26 February 2014 on the harmonisation of the laws of the Member States relating to electromagnetic compatibility (recast) - OJ L 96, 29.3.2014, p. 79-106

References to the relevant harmonised standards used or references to the other technical specifications in relation to which conformity is declared: **2006/42/EC:**

EN ISO 12100:2010	Safety of machinery - General principles for design - Risk assessment and risk reduction (ISO 12100:2010)
EN 61010-1:2010 EN 61010-1/A1:2019 EN 61010-1/A1/AC:2019	Safety requirements for electrical equipment for measurement, control, and laboratory use - Part 1: General requirements

2014/30/EU:

EN 61000-6-1:2007

Electromagnetic compatibility (EMC) - Part 6-1:
Generic standards; Immunity for residential,
commercial and light-industrial environments

Electromagnetic compatibility (EMC) - Part 6-3:
Generic standards; Emission standard for
residential, commercial and light-industrial
environments

EN 61000-6-3:2007 EN 61000-6-3/A1:2007 EN 61000-6-3/A1/AC:2012

2011/65/EU:

EN IEC 63000:2018

Technical documentation for the assessment of
electrical and electronic products with respect to
the restriction of hazardous substances (IEC
63000:2016)

Appendix II (Product Codes):

Product Code	Product Description
2040ZA001	Vortex Plus
2050ZA001	Compact
2060ZA001	Compact Plus
2070ZA001	Vortex Air (230V)
2071ZA001	Vortex Air (110V)

Appendix III (Technical File Authorisation):

Person authorised to compile the technical file:

Name: Globalnorm GmbH
Address: Kurfuerstenstr. 112 10787
 Berlin GERMANY
info@globalnorm.de
 phone: +40 30 3229027-50

Name: Jane Davies
Position: Group Regulatory Affairs
 Manager

Signed: 

Date: 14 October 2022

2. Warranty Information

2.1. Warranty Terms

- I. The warranty is for 12 months from the date of commissioning or 18 months from the date of delivery (whichever occurs first).
- II. The warranty will cover both parts and labour.
- III. The warranty will not cover misuse or damage caused by a customer.
- IV. Warranty registrations and claims must be made via the Vernacare website (Vernacare.com).
- V. The warranty will not affect your statutory rights, or rights given in the company's terms and conditions.

2.2. Conditions of Warranty

- I. The Vortex Air must be installed as per instructions provided within this manual.
- II. The Vortex Air must be commissioned by a person authorised by Vernacare, failure to do so may invalidate the warranty.
- III. Unauthorised modifications may invalidate the warranty if not authorised by Vernacare and conducted by appropriately trained person(s).

The above warranty details should be read in conjunction with the Company Terms and Conditions of Sale, copies of which are included with your invoice, or available upon request from Vernacare:

Telephone: +44(0)1204 555988

E-mail: service@vernacare.com

Alternatively, you can contact your local distributor for further information.

2.3. Service Contracts

To ensure continued reliability and performance, service contracts are available.

All UK based services and warranty work will be carried out by a VTS Engineer (Vernacare Technical Services- A division of Vernacare). For international installations, all work will be carried out by a Vernacare approved technician.

3. Machine Specifications

3.1. General Overview

The Vernacare Vortex Air disposal unit is designed to operate within a 2-minute cycle using 23 litres +/-10% of water (standard cycle mode). The machine can dispose of up to 6 ‘Vernacare’ disposable single- use products in a single cycle.

This capacity varies depending on the size of the pulp products & cycle selected. Below shows the capacity for standard and heavy duty cycles. For ‘Eco’ mode only 1 pulp item may be macerated per cycle. (product diagrams are examples only):

X6 Small Pulp Products	X4 Regular Pulp Products	X2 Washbowls	X1 Large Pulp Product
<ul style="list-style-type: none"> Kidney Bowls Multi-Cups Bottle Stops 	<ul style="list-style-type: none"> Urinals (Male & Female) Bedpans Slipper pans 	<ul style="list-style-type: none"> Detergent proof washbowls 	<ul style="list-style-type: none"> Maxi-Washbowls
 <p>x6</p>	 <p>x4</p>	 <p>x2</p>	 <p>x1</p>

The Vortex Air by default is set to ‘Auto-Start’ mode (this can be altered using the engineering mode). To operate the machine, a foot must be placed into the foot-well. When this is done a sensor will signal the lid motor to open the lid. Pulp can then be placed into the hopper. Placing a foot back into the foot-well, will signal the lid to close.

Once closed a magnetic sensor will detect the lid and trigger the interlock which secures the lid assembly to the top-cover. In the event this sensor fails a secondary microswitch will prevent the motor from turning the blades during the cycle, this is a secondary safety feature which is independent from the circuit board and primary software program.

One of the 2 events below will occur at this stage depending on the activation of ‘Auto-Start’ mode:

- Auto-Start Enabled-

The Vortex Air will commence the cycle sequence.

- Auto-Start Disabled-

The machine will remain in standby mode. To commence the cycle sequence the blue start button on the display membrane must be pressed.

Once the lid is closed and the cycle begins, the machine will perform the following processes to effectively macerate and dispose of its contents:

1. At the start of the cycle, the air compressor will inflate both the drain valve (diaphragm) and the lid seal. The drain valve will seal against the hopper base whilst the lid seal will do so against the lid. This will prevent the contents of the hopper from escaping the machine during the cycle. Pressure sensors monitor the air pressure within the seals and will stop the cycle and display an error message if compromised.
2. The water pump is now switched on and begins to distribute water through the lid spray and mechanical seal flush. This action is timed so that the pump adds approximately 12L of water into the hopper before switching off.
3. As the water pump is running, the AC motor which is controlled by an inverter begins to run at 55Hz (this increases to 60Hz towards the end of the cycle). If there is an item which should not be in the machine, such as scissors or non-maceratable wipes, the inverter will detect an overload. After this the motor will attempt to clear the blockage by reversing and reengaging, if the obstacle hasn't been cleared a 'Blocked Blades' message will appear on the display which will require intervention.
4. Towards the end of the cycle the drain valve will open and allow the macerated slurry to drop through the P-Trap and to the soil drain. As this happens the water pump will be switched back on and a cleaning portion of the cycle will commence. This runs water into the lid spray whilst the blades rotate, this action in turn cleans the machine ready for the next cycle.
5. During the final stage of the cycle a small pump will dose approximately 9ml of deodoriser through the lid spray. If the deodoriser reservoir is low a message will appear on the display reminding the user to top-up. Please note however that deodoriser is not a necessity and if you do not wish to use it the top-up message may be disregarded.

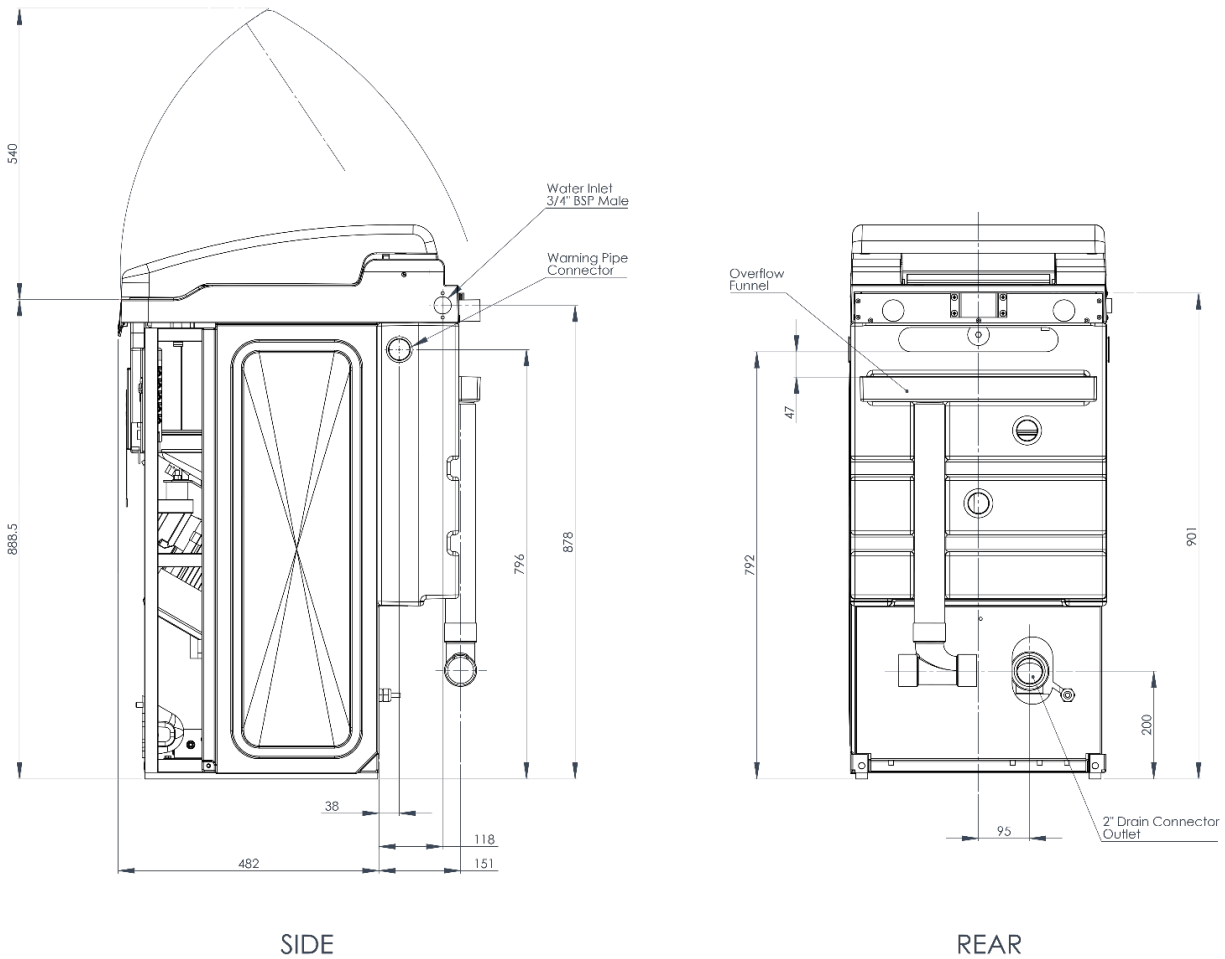
When the cycle has completed the 'Service Count' is displayed which indicates how many cycles the machine has run since the count was last reset. The lid will then remain closed with a message stating 'insert foot to open' to indicate readiness for the next cycle.

All cycles should follow the processes stated above, however there are several error modes (see section 5.2) which may require action.

When dealing with an error code or any other machine fault it is important you follow the processes as per the 'Vortex Air Fault Finding Guide'. Failure to follow the correct rectifications may further damage your machine and in some cases even invalidate a warranty claim. If you do not have access to the guide, please contact your Vernacare representative and if in doubt forward enquiries to:

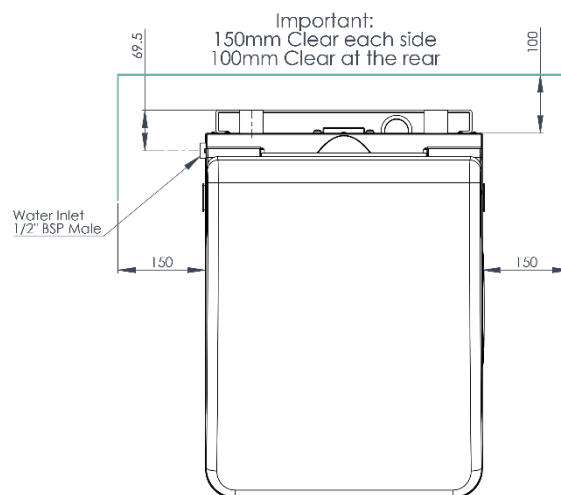
<https://www.vernacare.com/technical-support>

3.2. Dimensions



SIDE

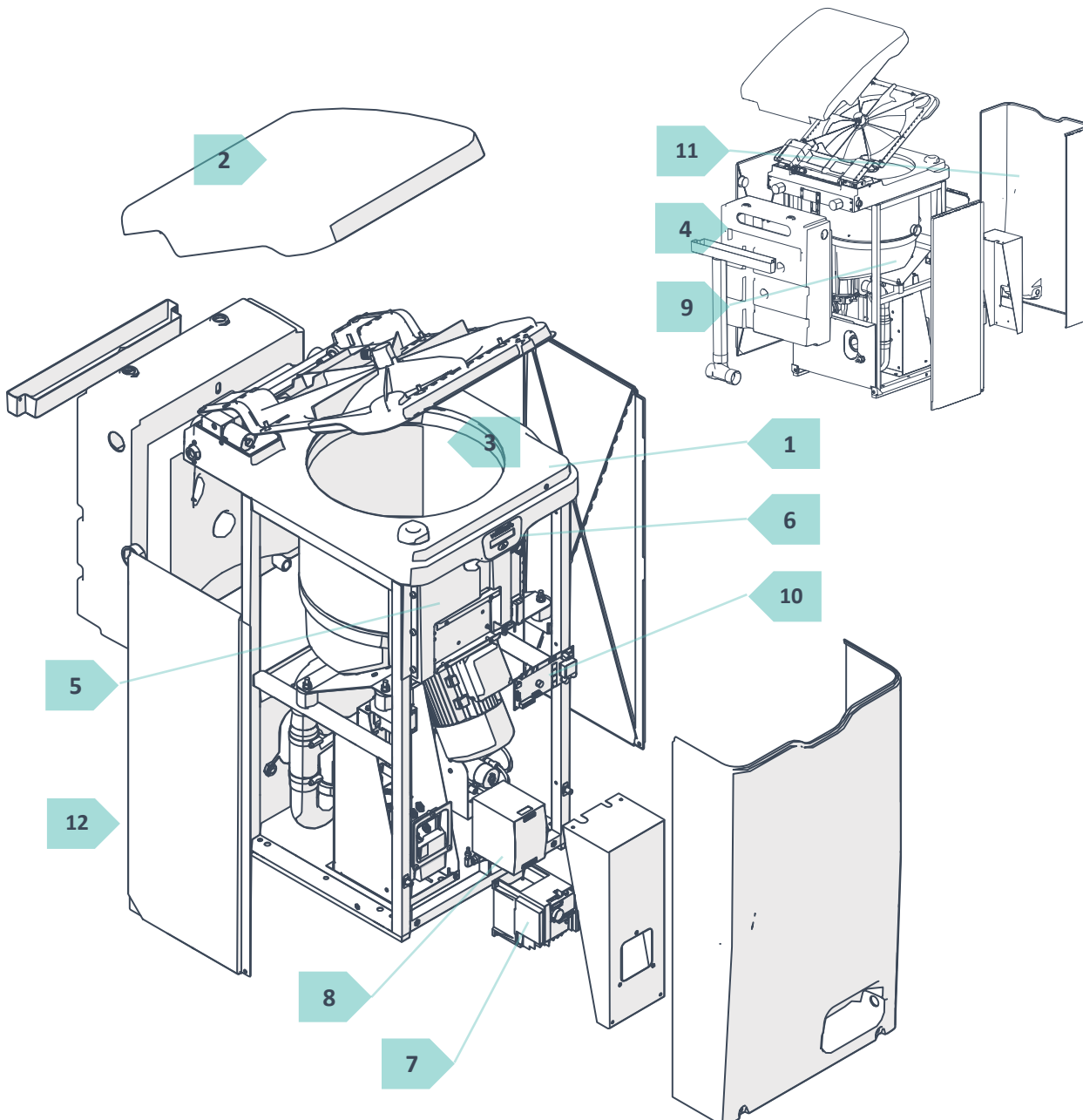
REAR



3.3. General Assembly

The exploded images of the Vortex Air assembly below should be used for familiarisation with key components and assemblies.

1	2	3	4
Top Cover	Lid Top	Lid Bottom	Water Tank
5	6	7	8
Deodoriser Tank	PCB	Inverter (motor control)	Power Supply Unit
9	10	11	12
Hopper	Display Membrane	Front Cover	Side Panels



3.4. Electrical Specifications

The machine is supplied with a 3-meter length of 1.5mm flex, which shall be connected to either:

- 230 Volt Machine – 10 Amp MCB to BS EN60898 Type C or alternatively fused 16 Amp to BS EN60269-1. An appropriate I.E.C Approved 16 Amp isolator shall be installed in both cases.
- 110 Volt Machine – 16 Amp MCB to BS EN60898 Type C or alternatively fused 16 Amp to BS EN60269-1. An appropriate I.E.C Approved 16 Amp isolator shall be installed in both cases.

It is recommended that the disposal unit is supplied by a dedicated circuit.

Where supplementary protection is provided by an RCD/RCBO, this should be rated at 100mA.

Note that the machine should not be switched off at the mains supply mid-cycle except in the case of an emergency. Doing so will impair the effective operation of the machine and may cause damage to the components.



Under NO circumstances should the machine be worked upon and dismantled without fully isolating the machine from the electrical supply.



3.4.1. AC Motor

0.75 KW; 3 Phase; 220-240v 50Hz/ 380-420v 50Hz; IP55; D71 frame size. Rating at peak load 2.6 amps (nominal).

3.4.2. Inverter

AC inverter with either 110v or 230v supply voltage, 230v motor output and utilising current monitoring.

3.4.3. Pump

0.18kW, 24V DC.- Protected by a 10A fuse.

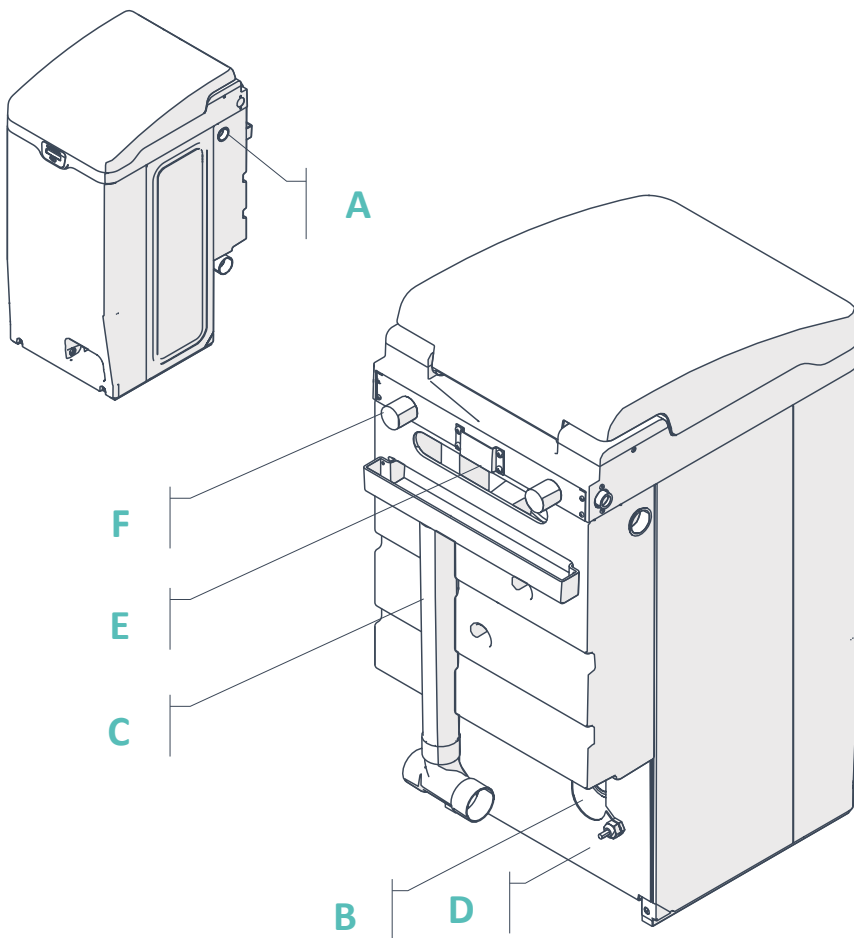
4. Installation & Commissioning

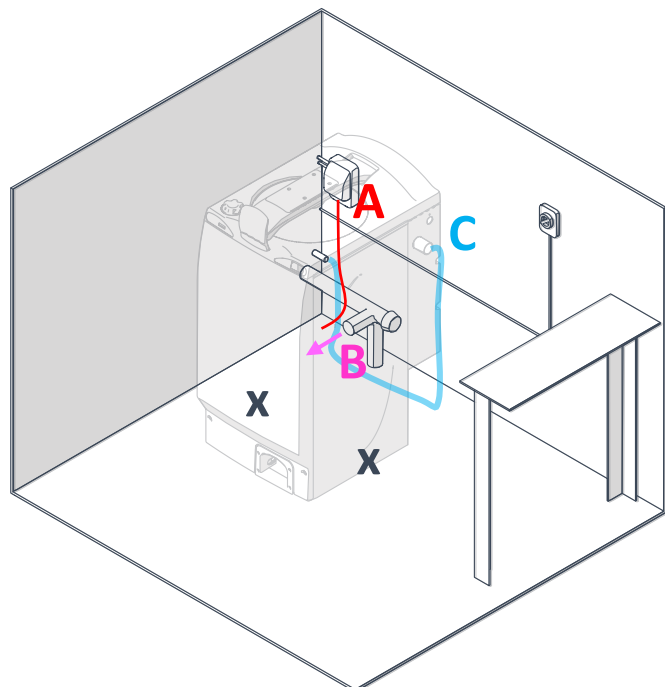
4.1. Quick Install Guide

Please note that this guide is focused on sites that are fitting a Vortex Air in replacement of a Vortex or Vortex +. If you are installing a Vortex Air in replacement of a non-Vortex macerator, please move onto the following section:

A	B	C
Water Inlet	Drain	Overflow (Optional)
D	E	F
Mains Cable (gland)	Wall Bracket Mount	Wall Spacers

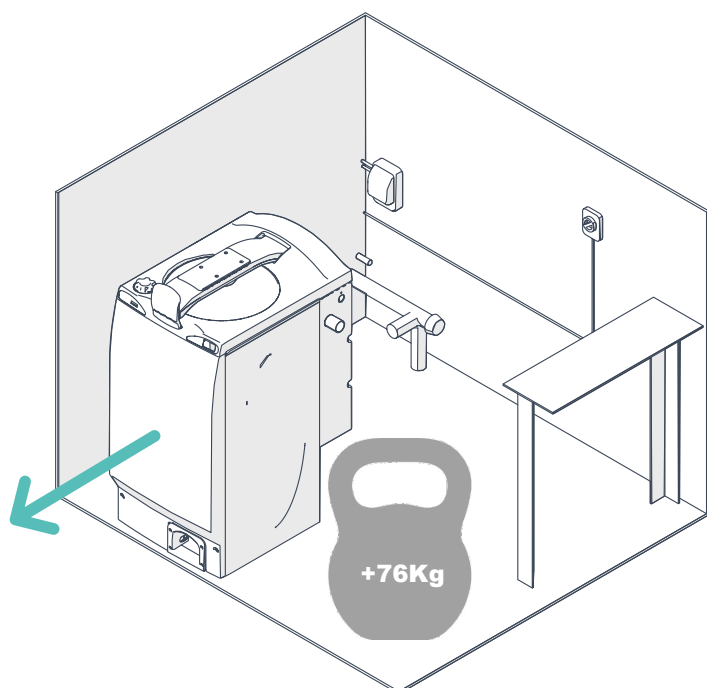
Connection Points





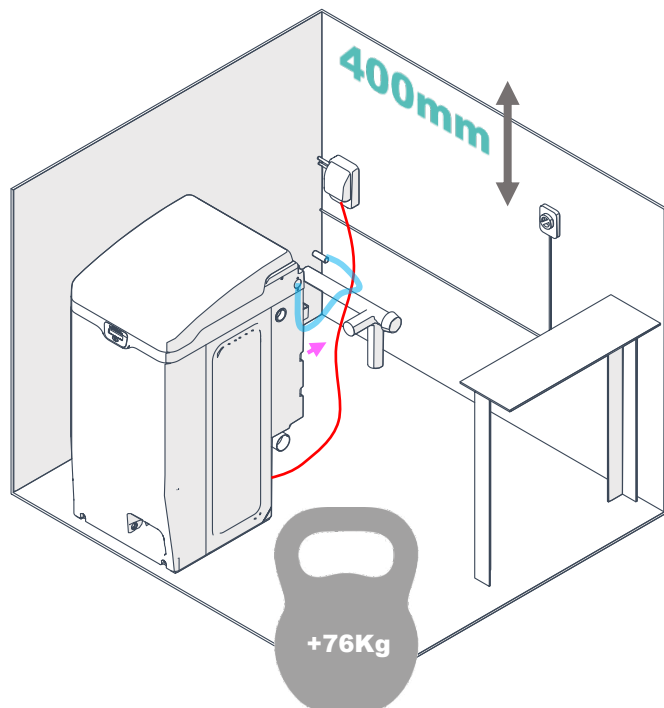
Disconnect the electrical connection (A), drain (B) and water inlet (C). The location of these may differ depending on the existing install.

If the machine is bolted to the floor, remove the 2 fixing bolts (X). (You will need to remove the front cover to do this)



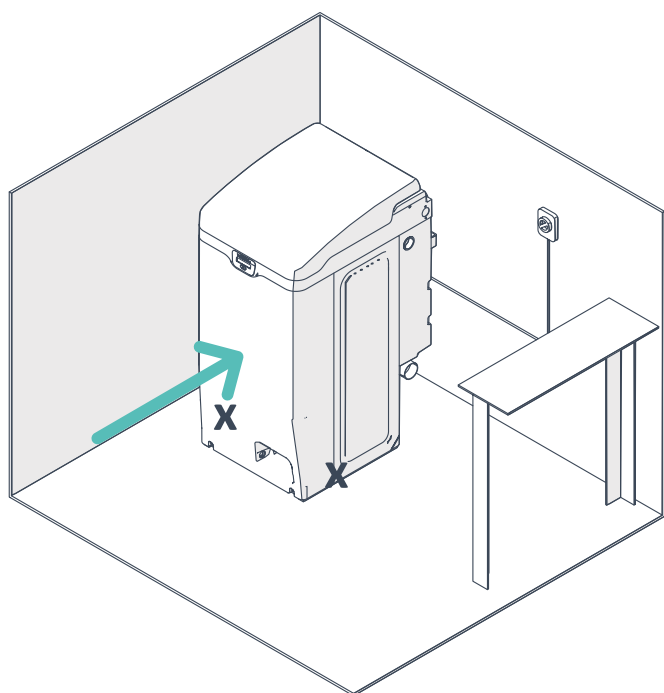
With all the points now disconnected, the machine is now safe to remove.

Please be aware that macerators in the Vortex range can weigh more than 76 Kg. 2 people or the appropriate mechanical aids are required for moving and handling.



Connecting the Vortex Air is simple a reversal of steps 1 & 2. First bring the Air close to the connections and connect both the water inlet and mains cable. Note that the Air does not come with a plug so one will have to be fitted.

The Air also opens wider than previous machines, ensure there is 40mm clearance above the lid.



The Vortex Air can now be placed into the final position, if the previous macerator was floor mounted using the 2 holes in the frame these same holes may be used to fix the Air into position.

The install is now complete. Now run the Air to check everything is operating as normal. For additional information refer to the Vortex + manual.

4.2. Sitting & Fixing

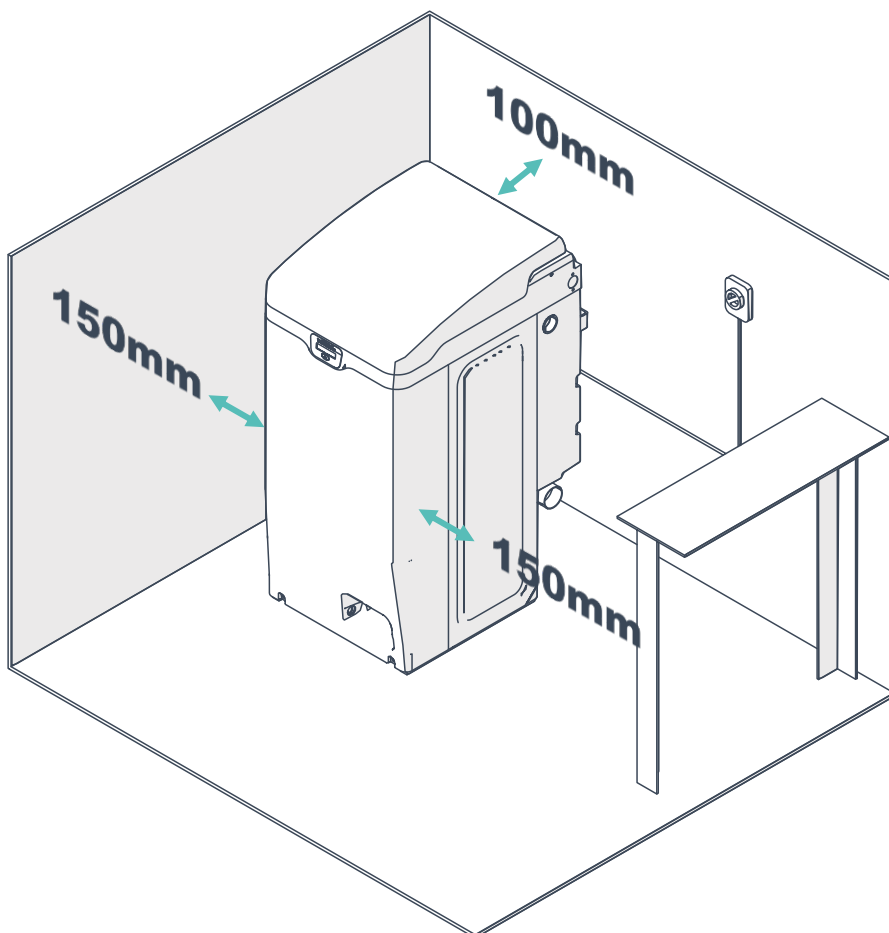
The “Vernacare Vortex Air” disposal unit should be positioned adjacent to the following:

- a) A suitable power supply point.
- b) An adequate water supply line.
- c) A suitable drainage connection.

Check the floor area is firm and level. The unit **must be bolted down** using the holes provided. Mark out the bolt positions on the floor and fit bolts utilizing the dimensions given in Figure 1. Ensure that adequate space is maintained at each side of the Macerator to allow for access. Vernacare recommend a gap of 6” - 8” (150 - 200mm) per side and 4” - 5” (100 - 125mm) away from the wall at the back.

Important- To comply with **UK WRAS regulations** sufficient clearance must be provided to allow water to freely discharge from the water tank overflow weir.

Check that the unit is level in both directions.



4.3. Water Inlet & Drainage Requirements

The machine should be connected to a suitable cold water supply as follows:-

The connection to the machine water tank is made at the rear of the machine on the top left hand side corner of the machine. It is a standard connection to a 3/4" BSP male fitting. Flow rate should be 18 litres per minute minimum.

Note: The inlet flow valve is supplied already fitted with a flow restrictor (brown) in place. The restrictor should be left in place on tank fed installations with heads above 50ft or mains fed installations with pressures above 1.5 bar (25psi). In all other circumstances the flow restrictor is not required.

The drain is connected by inserting a 2" (50mm) pipe into the P-Trap and tightening the compression fitting provided. Please note there is a P trap integrated into the machine so an external one is not required.

Points to Watch

- Ensure that the water supply line to the unit is at no point less than 15mm in diameter - larger if available head is low.
- Ensure that the water supply cannot be starved by any other fittings.
- Fit an easily accessible, full way isolating valve close to the unit.
- For installations with dirty water supplies it is recommended that an in-line filter is fitted.
- Ensure that the route taken to soil drain is the shortest, with minimum number of bends.

If necessary, use long radius or 'swept' bends - never short or 90' elbows.

- The waste must be run separately to the soil stack or drain.
- Ensure that there is a fall of a minimum of 1 in 25 or a sufficient fall to maintain a self-cleansing velocity.
- Provide easy access for roding/drain cleaning.
- Ensure a clean run inside the pipework - leave no burrs or reducing shoulders.
- With plastic pipework, ensure that there is no reduction in the bore size and that there is adequate support for long distance pipe runs to prevent sagging. Remember, ceiling voids can get very warm.
- Avoid running the drain line near or across hot water pipes.
- Anti-syphon precautions should be in line with general practice.
- If all of the above has been noted and the water pressure remains below 18l/min a booster pump may be required, this will prevent excessive waiting time between cycles (2 min time-out for water fill before an error is shown).

4.4. Environmental Considerations

Indoor use only. Altitudes up to 2000m. Air pressure 940-1030mb Temperatures 5°C to 40°C.

Maximum relative humidity 20-80% non-condensing/.

Mains supply voltage fluctuations not to exceed +/- 10% of nominal voltage

5. Operation

5.1. Instructions For Use

- Approach the macerator and open the automatic lid by placing your foot in the footwell.
- Place the single-use disposable pulp products into the macerator, please:
 - do not exceed the following maximum capacities:
 - x4 Medium sized pulp products, such as bedpans and bottles.
 - x2 large sized pulp products, such as washbowls.
 - x6 Small sized pulp products, such as bottle stops and kidney bowls.
- To close the lid, insert your foot back into the footwell, the lid will automatically close and commence the cycle. The progress of the cycle will be displayed as a percentage whilst the cycle is underway. *Note that if the machine is not in auto-start mode, you will have to press the start button to commence the cycle.
- When the cycle is complete the macerator will make an audible ‘beep’. After this the service and cycle count will be displayed followed by the ‘insert foot to open’ prompt. The macerator is now ready for the next cycle.

5.2. Do’s & Don’ts

DO run a cycle after each loading for infection control purposes.

DO run a cleansing cycle once a day without products.

DO load a maximum of 6 small, 4 medium or 2 large single-use disposable pulp products.

DON’T allow single-use disposable products to ‘nest’ inside one another within the macerator.

DON’T put non-maceratable wipes, dressings, plastic containers, incontinence pads, metal objects, cotton wool, sanitary or paper towels, plastic gloves, aprons, syringes or any other non-maceratable items into the Vortex Air.

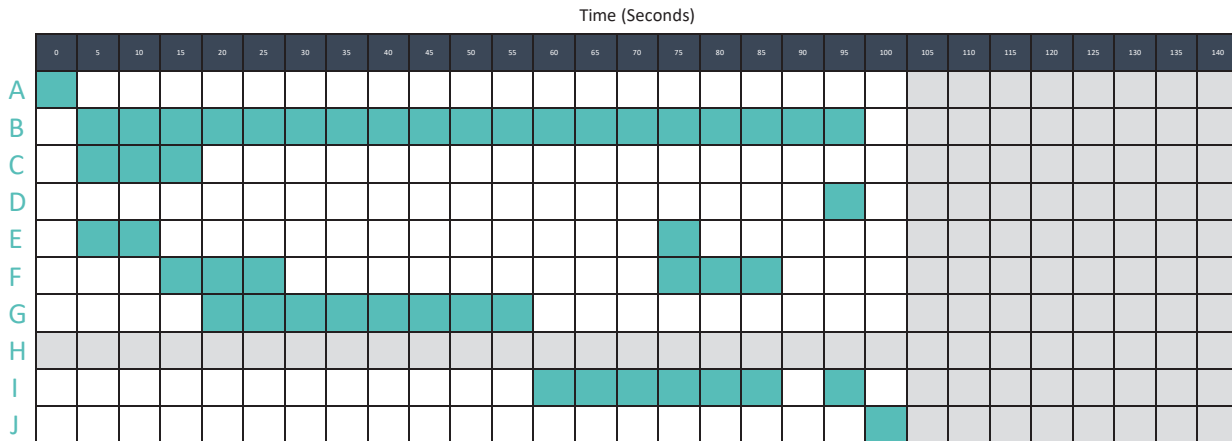
5.3. Icons & Error Messages

	<p>The machine has started and the cycle has commenced. A progress bar will be displayed.</p>		<p>An interruption to the electrical supply has occurred during the cycle.</p>
	<p>The cycle has ended and is now ready to re-use.</p>		<p>The hopper has not drained properly, the outlet may be blocked.</p>
	<p>The inverter has detected an overload due to a blockage of the cutter blades.</p>		<p>A fault/obstruction is preventing the lid from opening.</p>
	<p>The pressure sensor has detected a pressure rise in the hopper due to a blocked drain outlet.</p>		<p>A fault/obstruction is preventing the lid from closing.</p>
	<p>There is insufficient water within the water tank to allow a cycle to commence.</p>		<p>The inflatable seal has failed to operate correctly.</p>
	<p>The deodoriser level is low as should be refilled at the next opportunity. The machine will still run.</p>		<p>The lid interlock has failed operate effectively.</p>
	<p>The drain (diaphragm) valve has failed to operate effectively.</p>		<p>The lid is unable to open & close.</p>

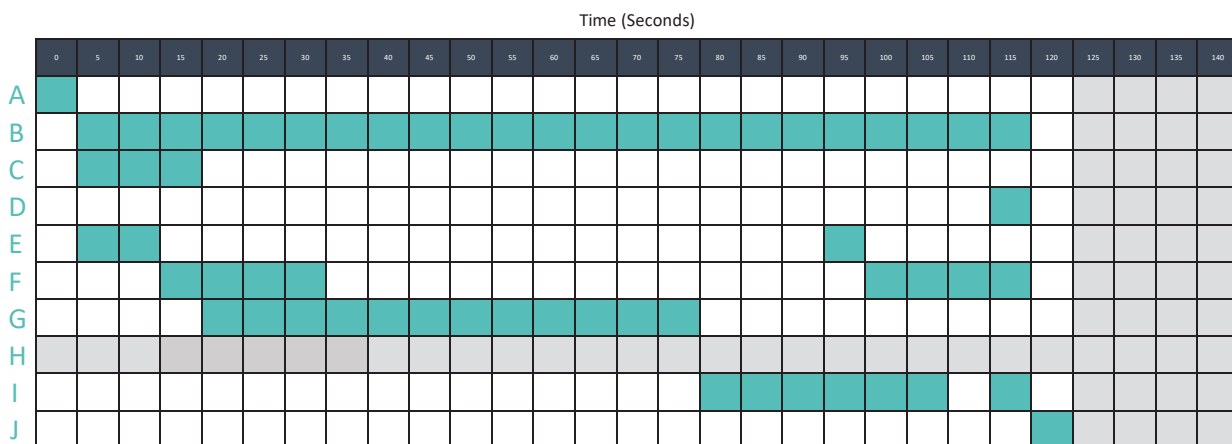
5.4. Cycle Sequences

A: Start Button/Auto Start, **B:** Lid Lock, **C:** Air Pump, **D:** Lid Seal Solenoid Valve, **E:** Drain Solenoid Valve, **F:** Water Pump, **G:** Motor Forward 55Hz, **H:** Motor Reverse 55Hz, **I:** Motor Forward 66Hz, **J:** Deodoriser Pump, **K:** Cycle Complete

5.4.1. Eco Mode



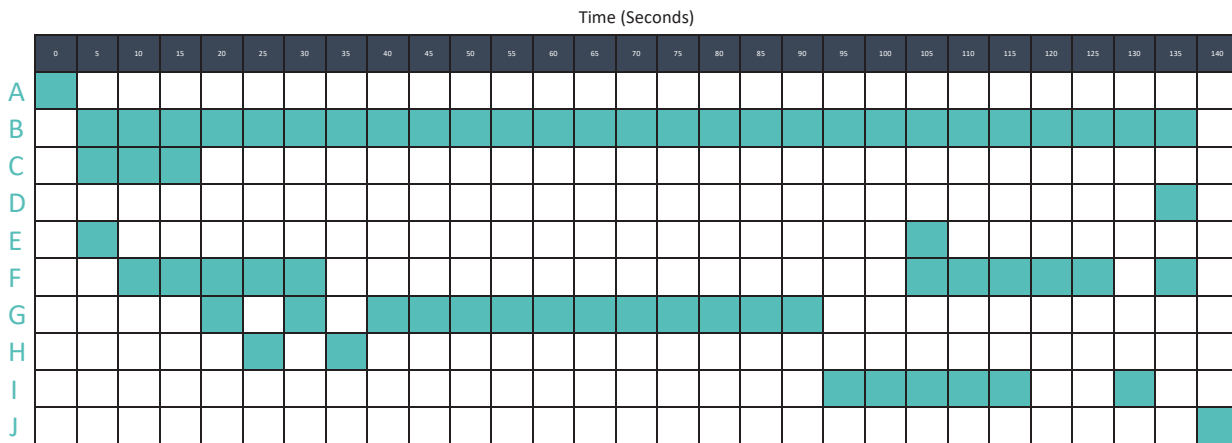
5.4.2. Standard Mode



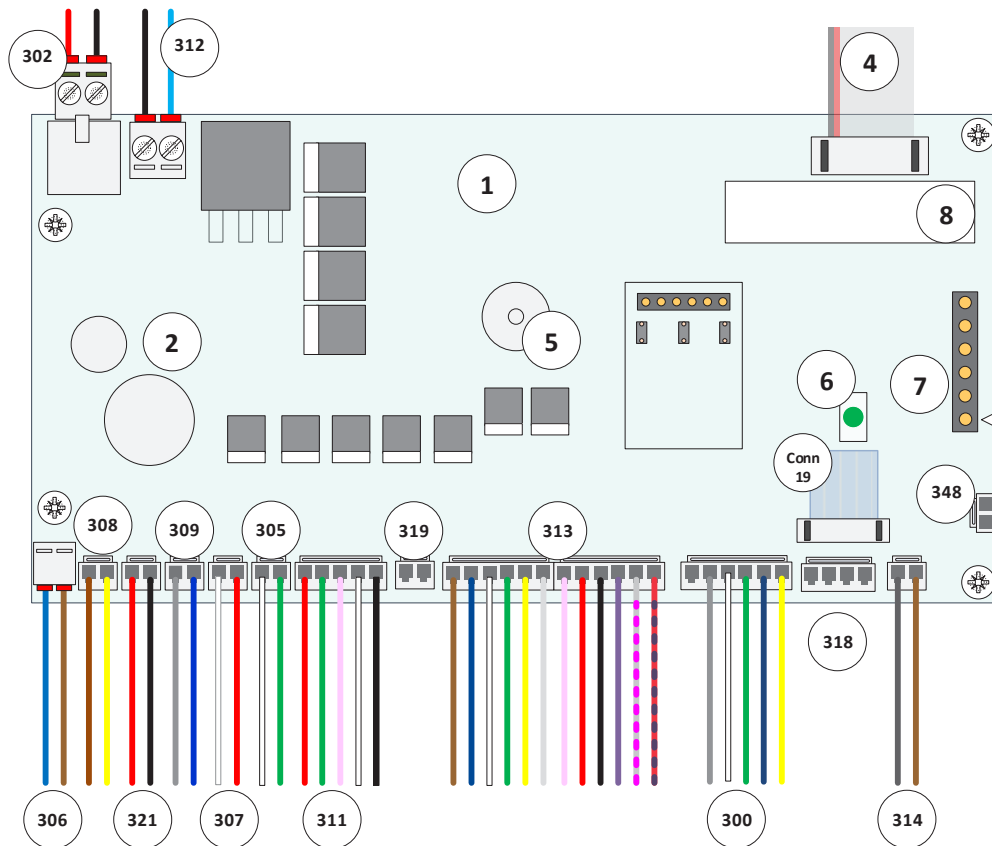


5.4.3. Heavy Duty Mode

A: Start Button/Auto Start, **B:** Lid Lock, **C:** Air Pump, **D:** Lid Seal Solenoid Valve, **E:** Drain Solenoid Valve, **F:** Water Pump, **G:** Motor Forward 55Hz, **H:** Motor Reverse 55Hz, **I:** Motor Forward 60Hz, **J:** Deodoriser Pump, **K:** Cycle Complete



5.5. PCB Diagram



Reference Number	Description
1	PCB Board
2	Internal Clock Battery
348	RFID Compatible Terminal
4	Display Ribbon Cable
5	Audible Buzzer
6	PCB Health LED
7	Software Update Fob Connection Point
8	Serial Number Text Area
300	AC Motor Cable
302	PCB Power Supply Cable
305	Air Pump Cable
306	Lid Motor Cable
307	Main Water Cable
308	Drain Valve Cable
309	Deodoriser Pump Cable
311	Lid Interlock Cable
312	Water Pump Cable
313	IFM Cable (Splitter Box) A
314	'Engineer Mode' Push Button Cable (Compact Range Only)
318	Start Button Cable
319	Floor LED Cable (Compact Range Only)
321	Lid Seal Valve Cable
Conn 19	Engineering Mode Board Ribbon Cable (Vortex Air Only)

5.6. 'Engineers Mode' Instructions

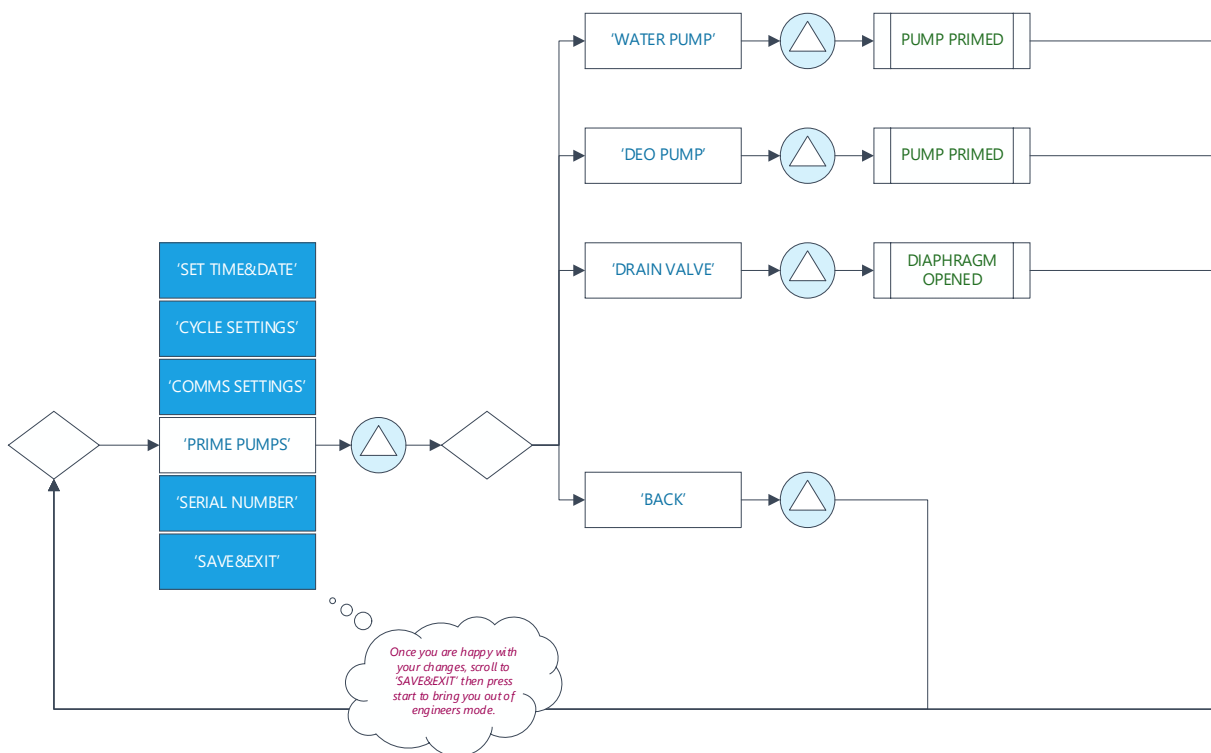
To access 'ENGINEERS MODE' first switch the machine off. Press and hold the yellow button on top of the electrical cabinet then switch the machine back on again. The engineers mode message should flash on the LCD display if done correctly.



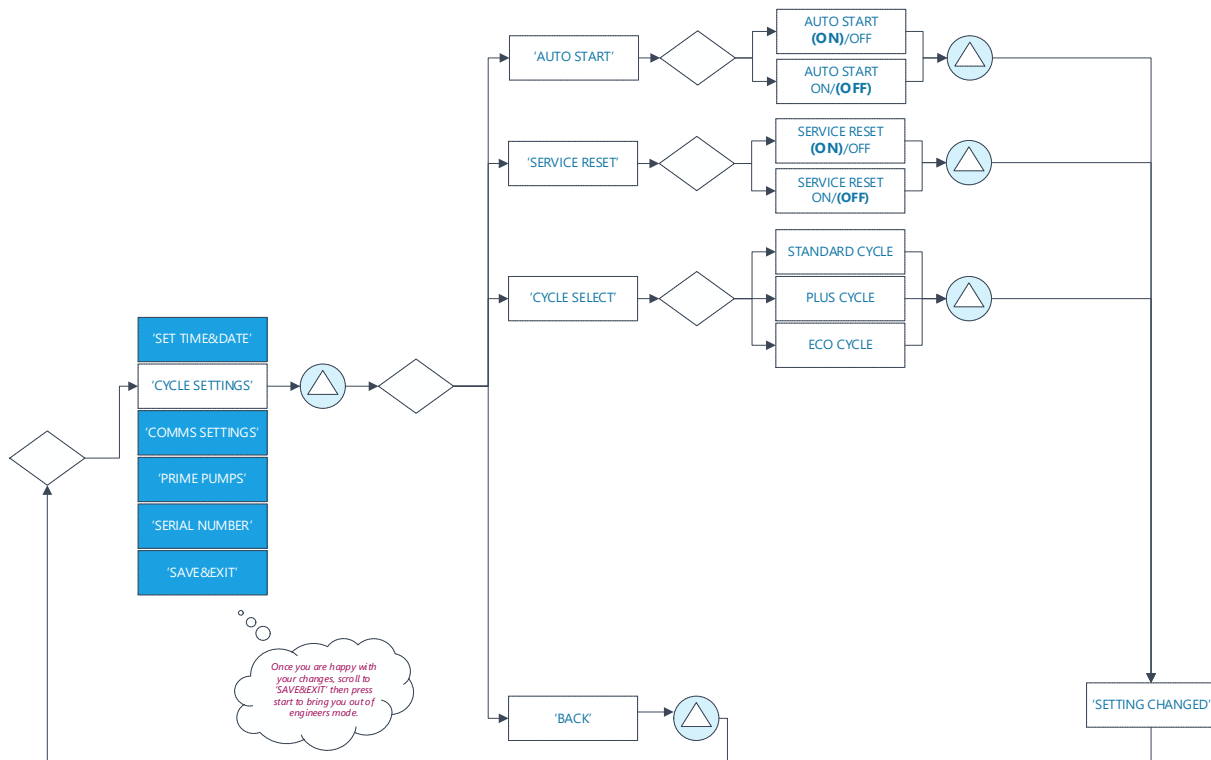
= Start switch (Located underneath the display)

5.6.1. Priming the Pumps & Opening the Drain Valve

(Note that when priming either pumps the start button must be held)



5.6.2. Setting 'AUTO START' & Adjusting Cycle Modes



Note that the alternate cycle modes are as follows:

- Standard Cycle- Normal operation. 4 products/cycle.
- Heavy Duty Cycle- Used only for busy wards when the machine is running continuously. 4 products/cycle.
- Eco Mode- Used for light duty machines. 1 product only/cycle.

Please take care to select the appropriate cycle to ensure the machine operated both as safely and economically as possible.

The service reset on/off function allows an engineer to rest the service due message which appears every 20,000 cycles.



5.7. Care & Maintenance

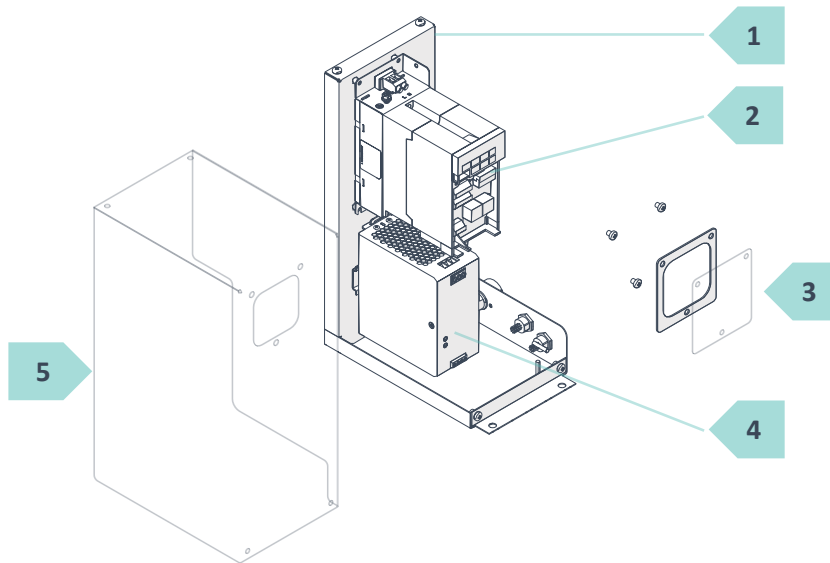
Daily Routine

Recommended cleaning procedure for Vortex Air using Azo™ Detergent Wipes or detergent and water.

- With the lid open, clean the inside surface of the lid seal and underside of the top cover using IPA based wipes or detergents with warm water. Please dispose of wipes and cloths once finished (not in the macerator unless macerator friendly).
- Close the lid and then clean and dry the front panel of the Vortex Air.
- Keeping the lid closed, continue to wipe the top surface with warm water and detergent then dry with a dry wipe.
- Wipe over the control panels with a damp (not wet) cloth and dry. NB. Drying each surface after cleaning is vitally important to help prevent microbial growth.
- Finally start the Vortex Air to run one cycle without any disposable single-use products to flush the hopper through and clean the inside of the macerator.

6. Assembly Diagrams & Descriptions

6.1. Electrical Assembly

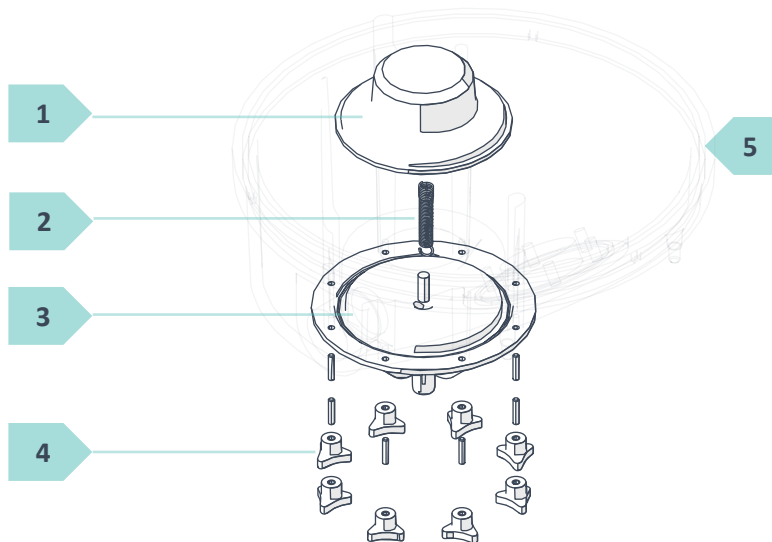


How it Works

This is often referred to as the ‘PSU’ unit. The electrical assembly consists of both the power supply and inverter unit. The power supply distributes incoming mains power to the PCB board and machine components. The inverter is used to control the AC motor as well as monitoring the load. This system can detect ‘Blocked Blade’ errors when a user has either overloaded or put a foreign object into the machine.

1	Electrical Chassis
2	Mitsubishi Inverter Unit
3	Inverter Display Panel & Gasket
4	Power Supply
5	Electrical Chassis Cover Panel

6.2. Diaphragm/Drain Valve Assembly

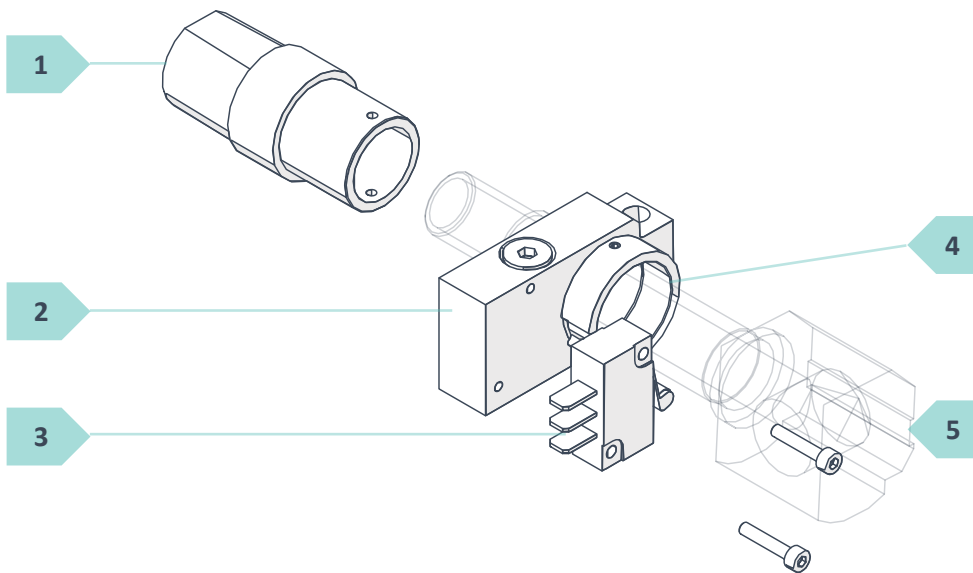


How it Works

The diaphragm assembly is also known as the drain valve. When a cycle is commenced, the rubber diaphragm will inflate via air distributed from the pneumatics assembly. Once inflated, all of the macerator's contents will be held until the end of the cycle. Once completed the valve is quickly deflated sending the processed waste directly to the drain through the P-Trap.

1	Rubber Diaphragm
2	Diaphragm Spring
3	Diaphragm Chassis Plate
4	Lobed Nuts
5	Hopper Base

6.3. Safety Switch Assembly

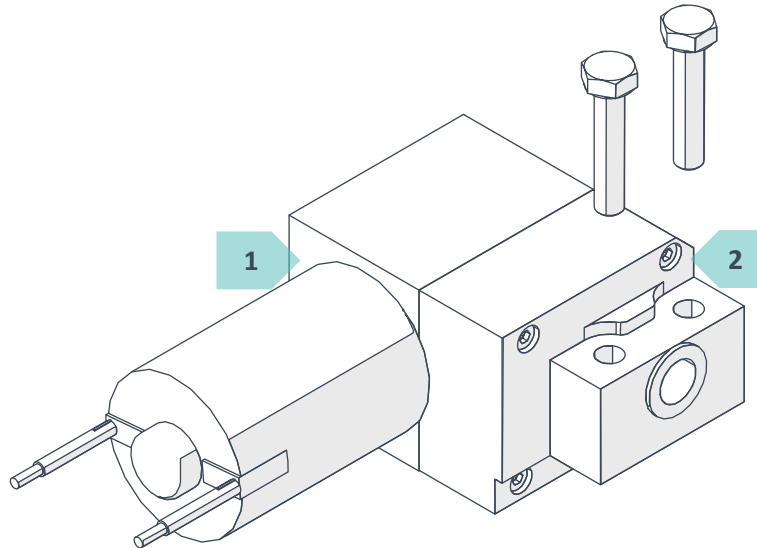


How it Works

Found on the right hand side of the top-cover assembly, the safety switch has been introduced as a secondary mechanism to prevent the motor running with an open lid. This uses a mechanical microswitch linked to the inverter unit. This system bypasses the PCB and software, so in the event there is an issue the macerator remains safe as the switch is not activated until the lid is fully closed.

1	Idle Shaft
2	Switch Housing
3	Safety Microswitch
4	Cam Ring
5	Shaft Lead-through

6.4. Rotary Actuator

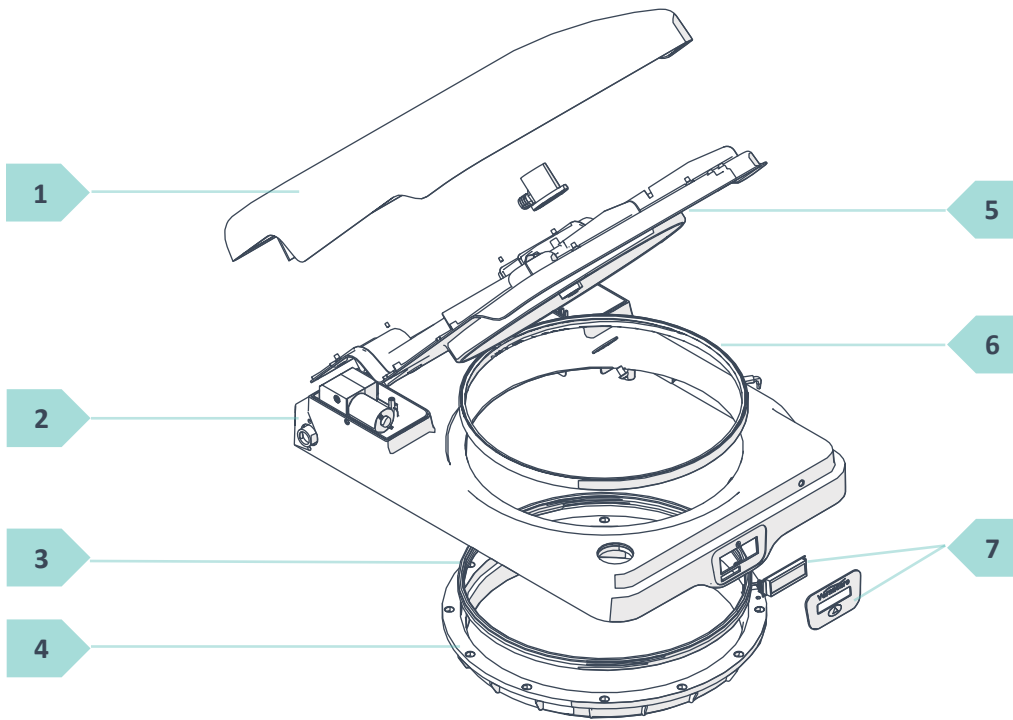


How it Works

The rotary lid actuator is found on the left hand side of the top-cover. It is a single unit designed to open/close the lid following a signal to the software from the foot sensor. Within the unit there is a clutch to protect the motor mechanism. If a user tries to manually operate the lid the clutch will slip to protect the actuator. Please note that excessive misuse may cause the clutch to wear prematurely and invalidate your warranty.

1	Motor Housing
2	Clutch Housing

6.5. Lid Assembly

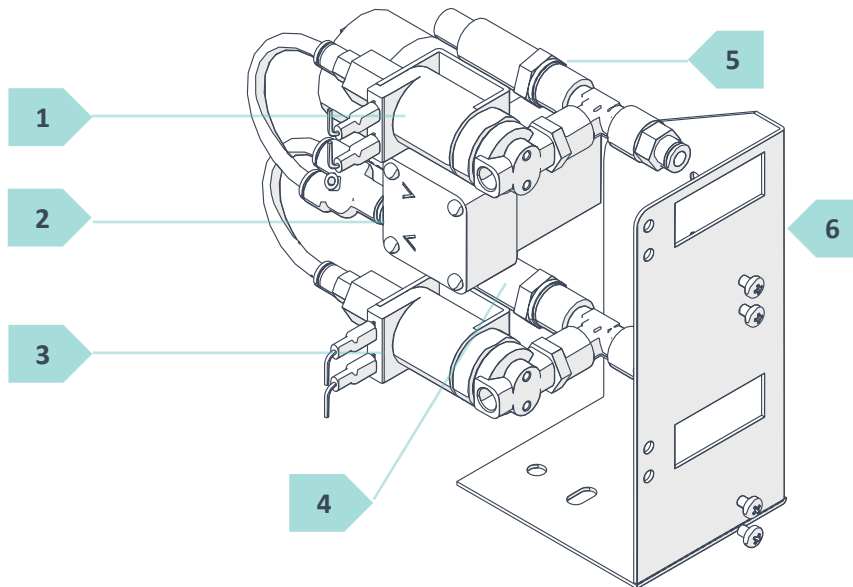


How it Works

The lid assembly houses many key components including the inflatable seal. At the beginning of each cycle the compressor inflates the seal which applies pressure between the lid and top cover to ensure a full aerosol free seal during operation. The water is also added through the lid via the idle shaft on the right-hand side of the top cover.

1	Lid Top Moulding
2	Top Cover Moulding
3	Static Lid-Hopper Rubber Seal
4	Clamp Ring
5	Lid Bottom Moulding
6	Inflatable Seal
7	LCD Display & Membrane

6.6. Pneumatics Assembly

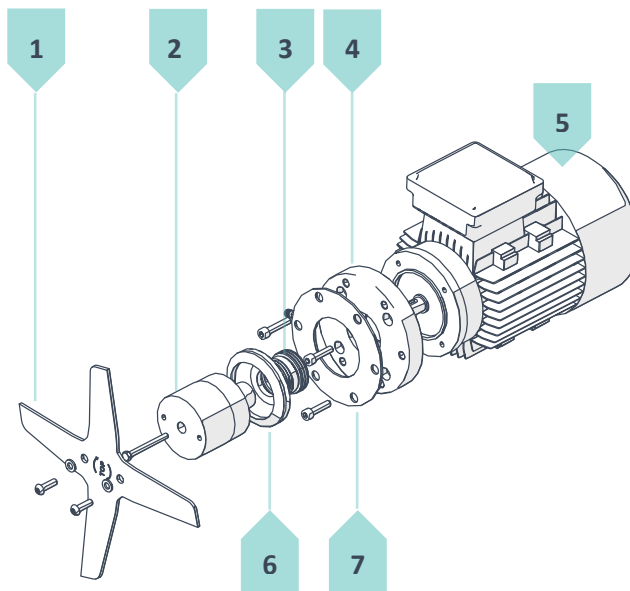


How it Works

The pneumatics assembly is responsible for distribution of Air throughout the macerators systems. This in turn controls both the drain and lid seal. Each of these contain their own independent pressure sensors so in the event of failure the display will highlight the correct error.

1	Inflatable Lid Seal 3/2 Way Valve
2	Air Compressor
3	Diaphragm 3/2 Way Valve
4	Diaphragm Pressure Sensor
5	Inflatable Lid Seal Pressure Sensor
6	Pneumatic Assembly Bracket

6.7. AC Motor Assembly

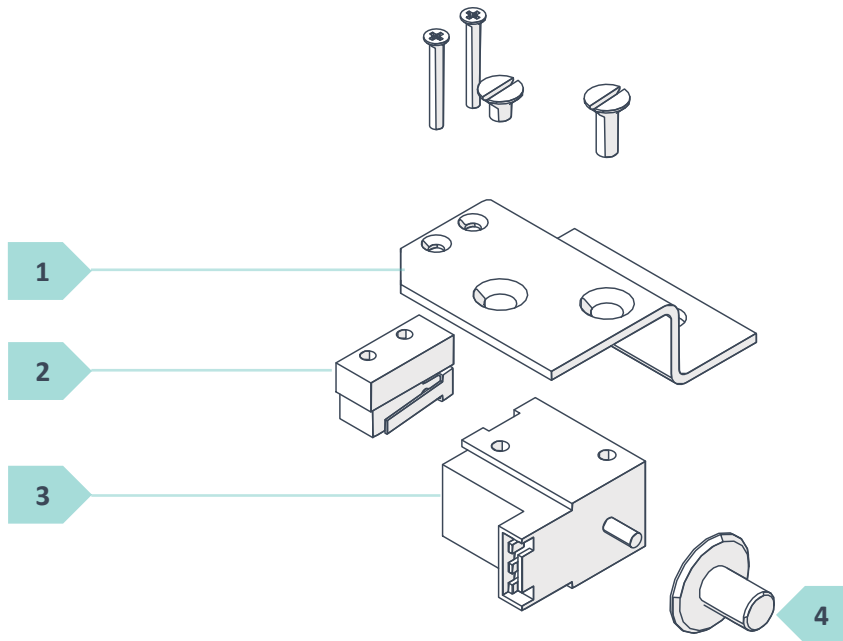


How it Works

The AC motor (which is controlled by the inverter) directly drives the cutter blades. The gaskets and seals ensure the assembly is watertight as it goes through the central hopper chamber. The blades are angled slightly to produce a 'vortex' in the slurry, this agitation of the water is key to effective maceration.

1	Cutter Blade
2	Motor-Blade Adapter
3	Mechanical Seal
4	Motor Flange
5	AC Motor
6	Rubber 'V' Seal
7	Rubber Full Face Motor Gasket

6.8. Interlock Assembly

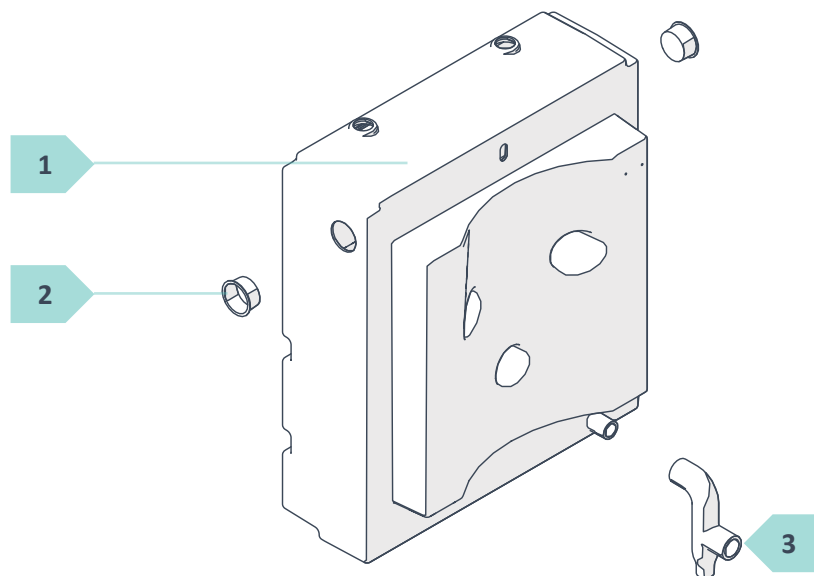


How it Works

The interlock solenoid locks the lid in place when closed. The pin moves linearly into the adjacent recess on the top cover moulding, this physically prevents the lid from opening whilst engaged.

1	Interlock Bracket
2	Microswitch
3	Interlock Solenoid
4	Interlock Pin

6.9. Water Tank

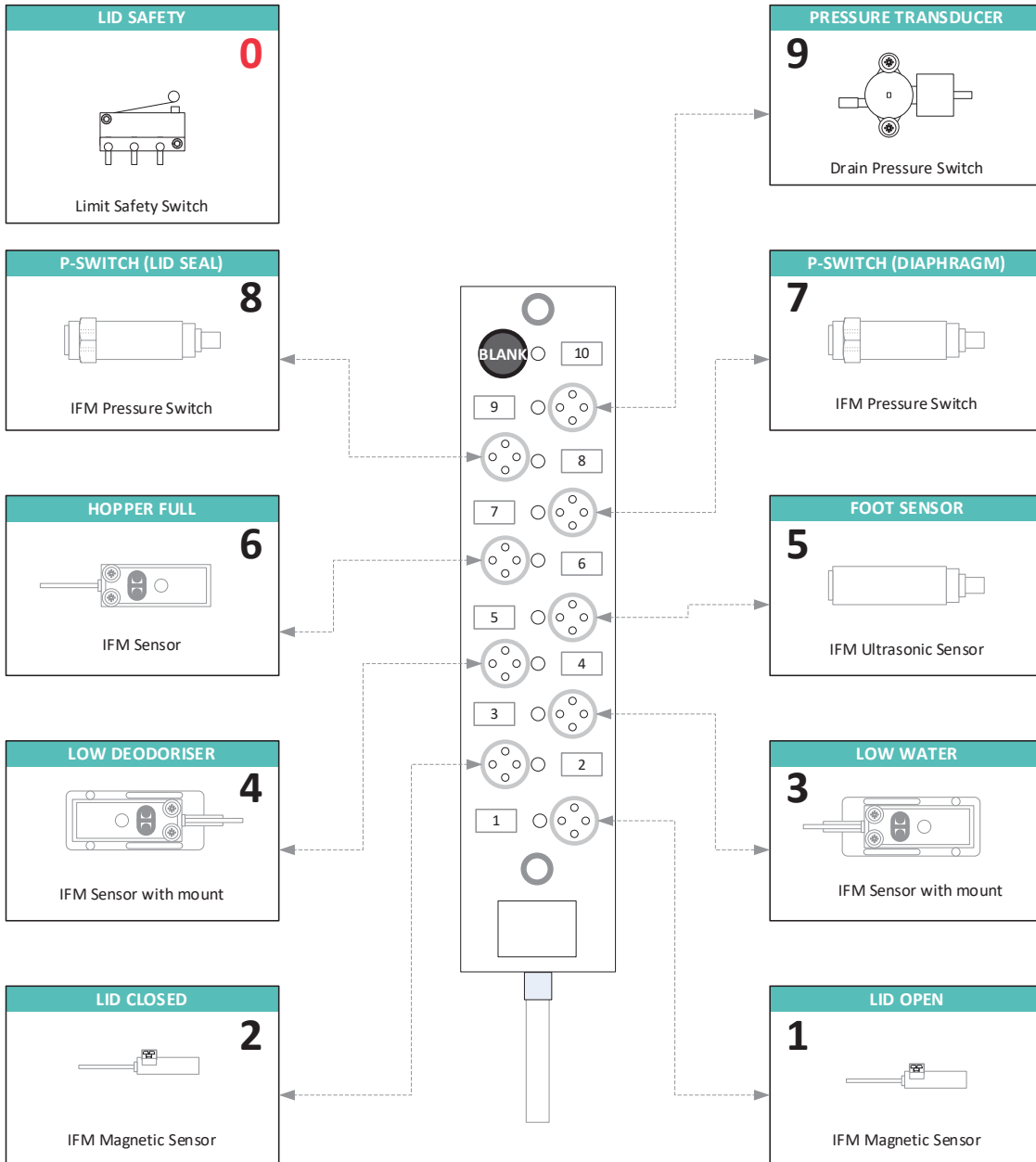


How it Works

The water tank holds all necessary water for the macerator to complete a cycle. There is a WRAS compliant type A-B Air Gap preventing water in the tank getting back towards the inlet. The head of water in the tank goes through the water inlet manifold towards the water pump which distributes it when necessary.

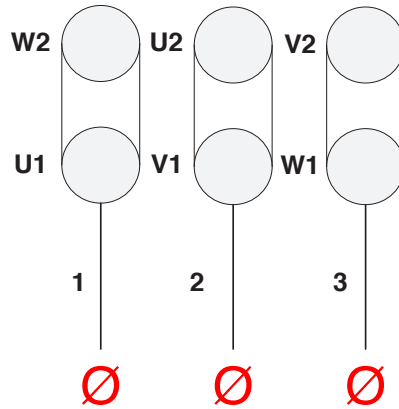
1	Water Tank
2	Caps
3	Water Inlet Manifold

6.10. Sensor Schematic



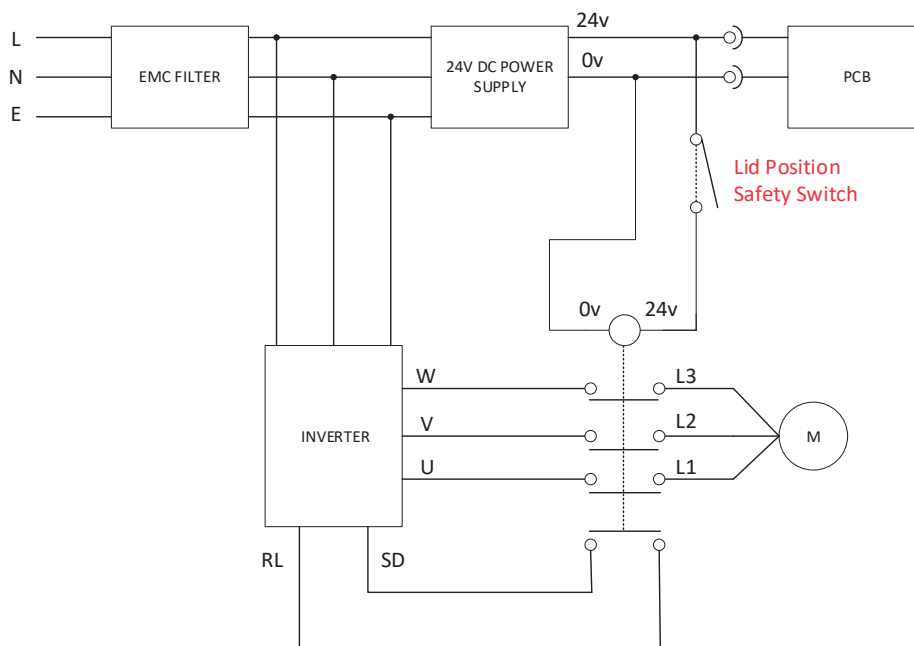
6.11. AC Motor Wiring Diagram

Motor wired in Delta for 220v input from the inverter unit.

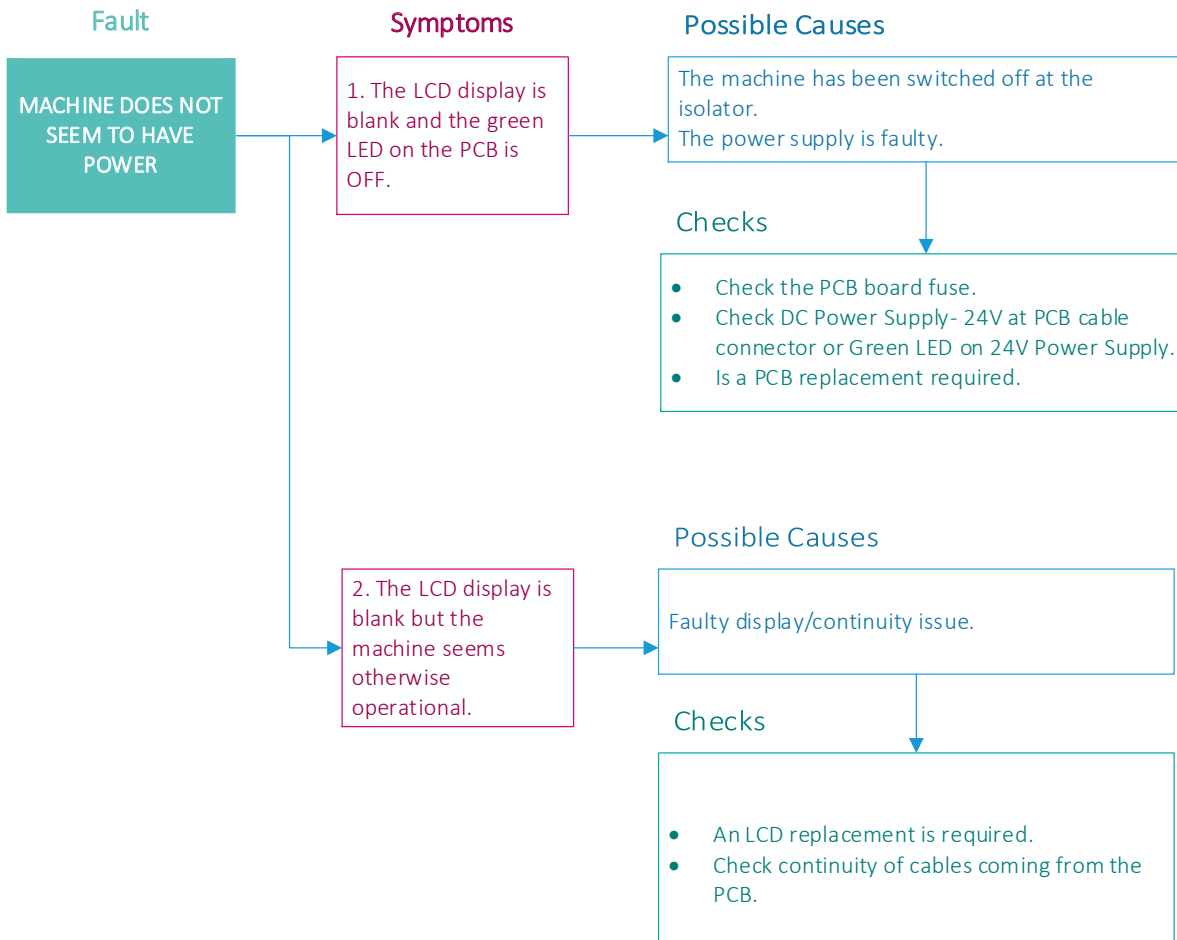


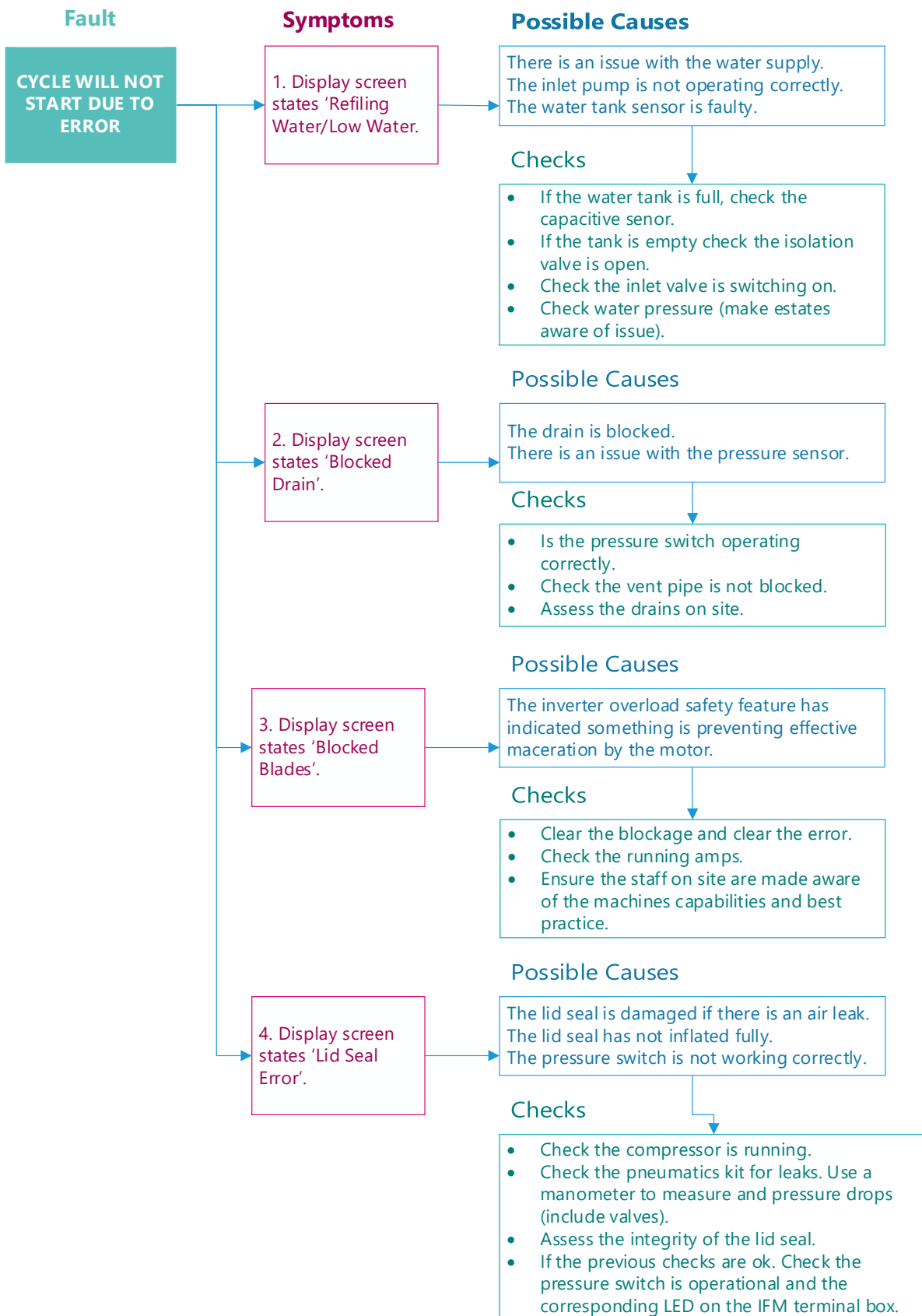
6.12. Electrical Enclosure

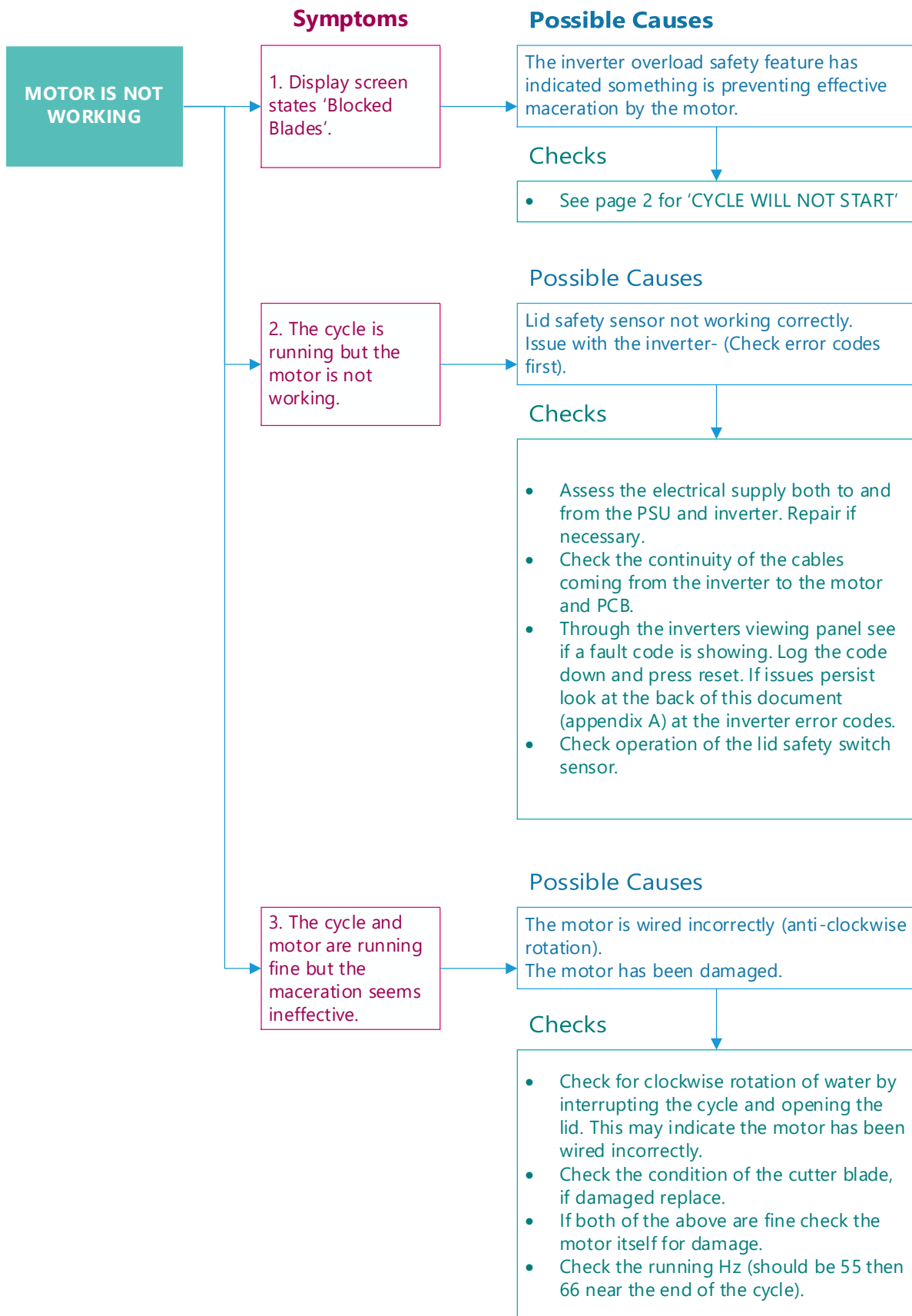
MAINS SUPPLY
1PH 230/110v

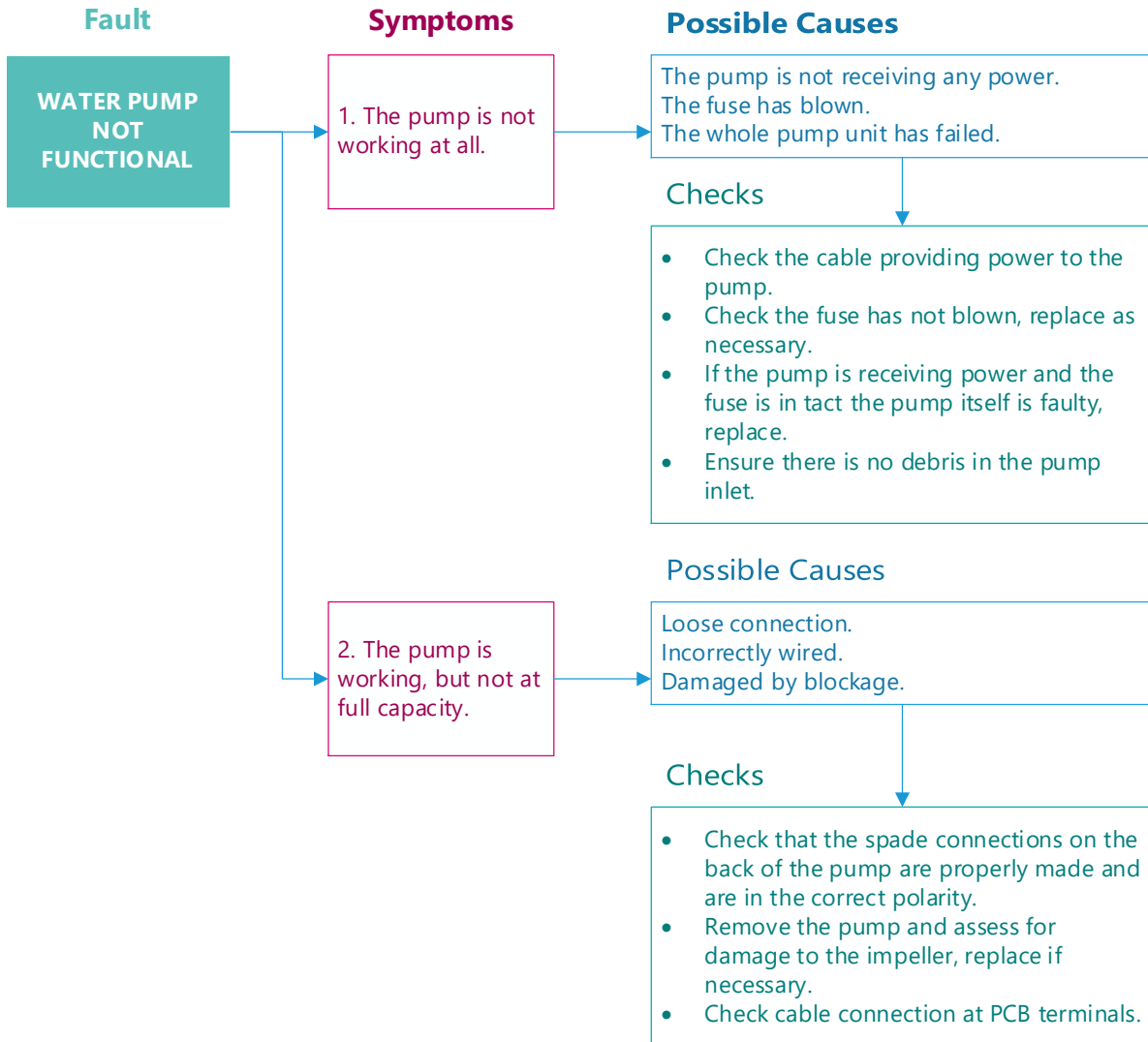


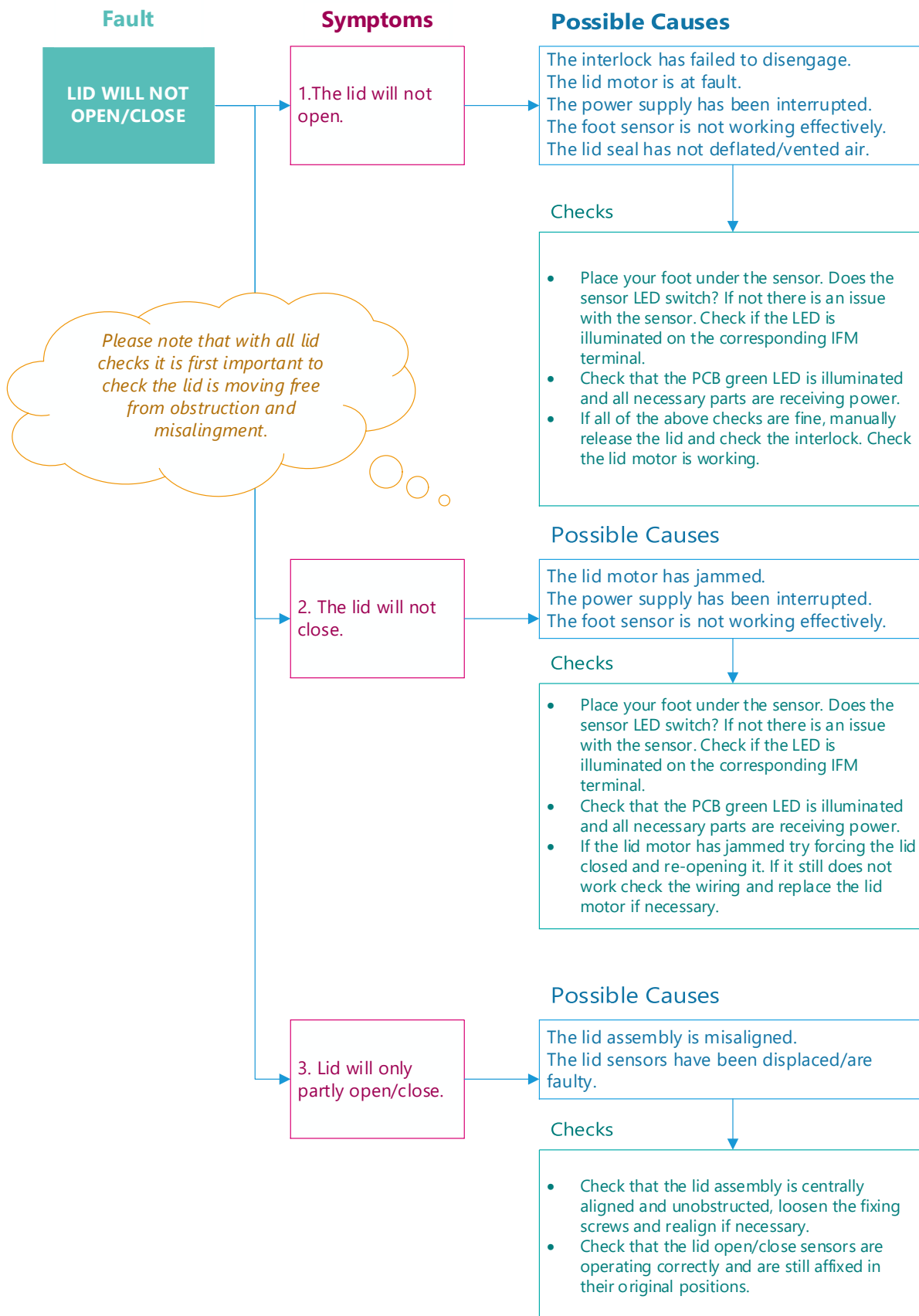
7. Fault Finding Guide

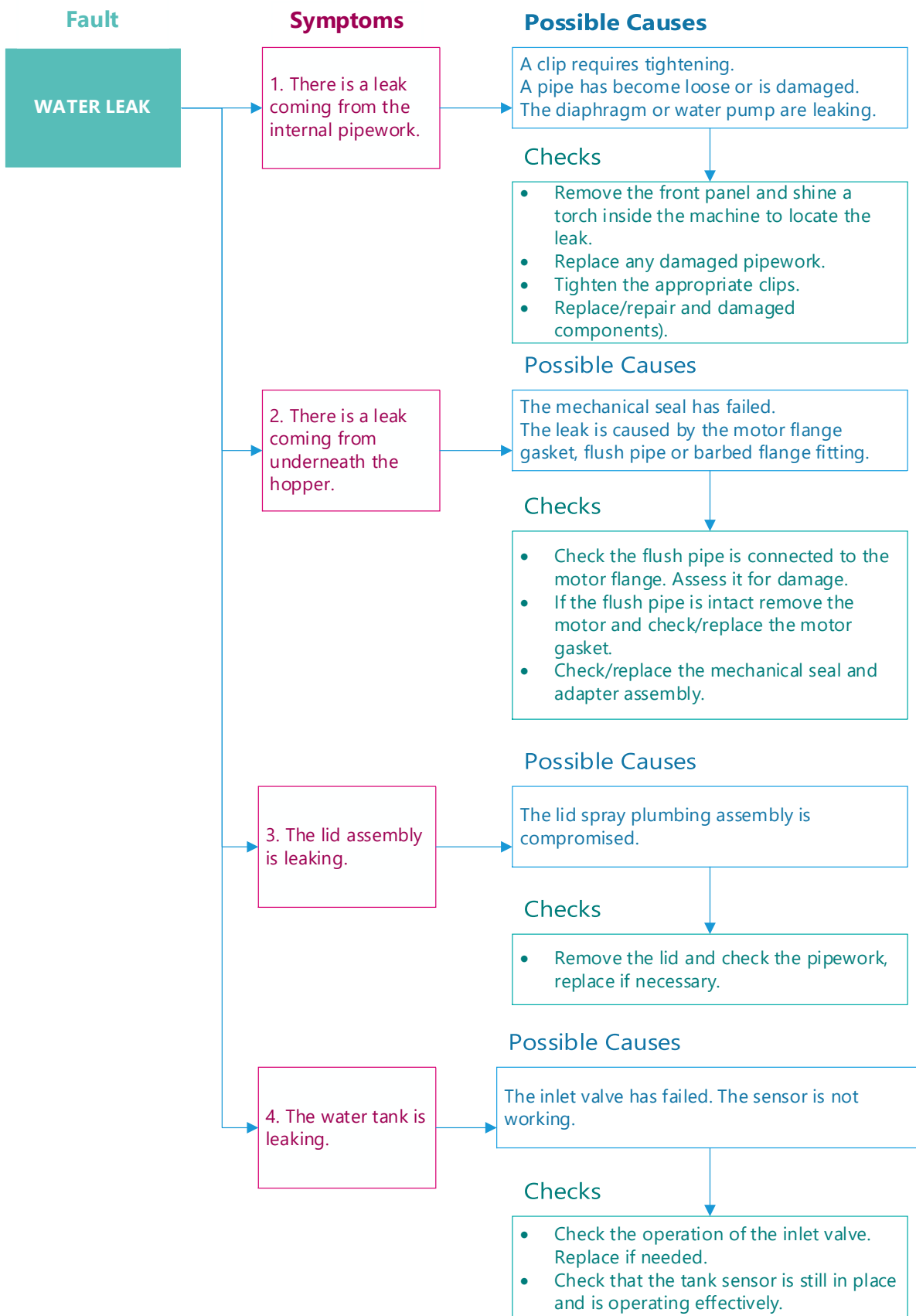


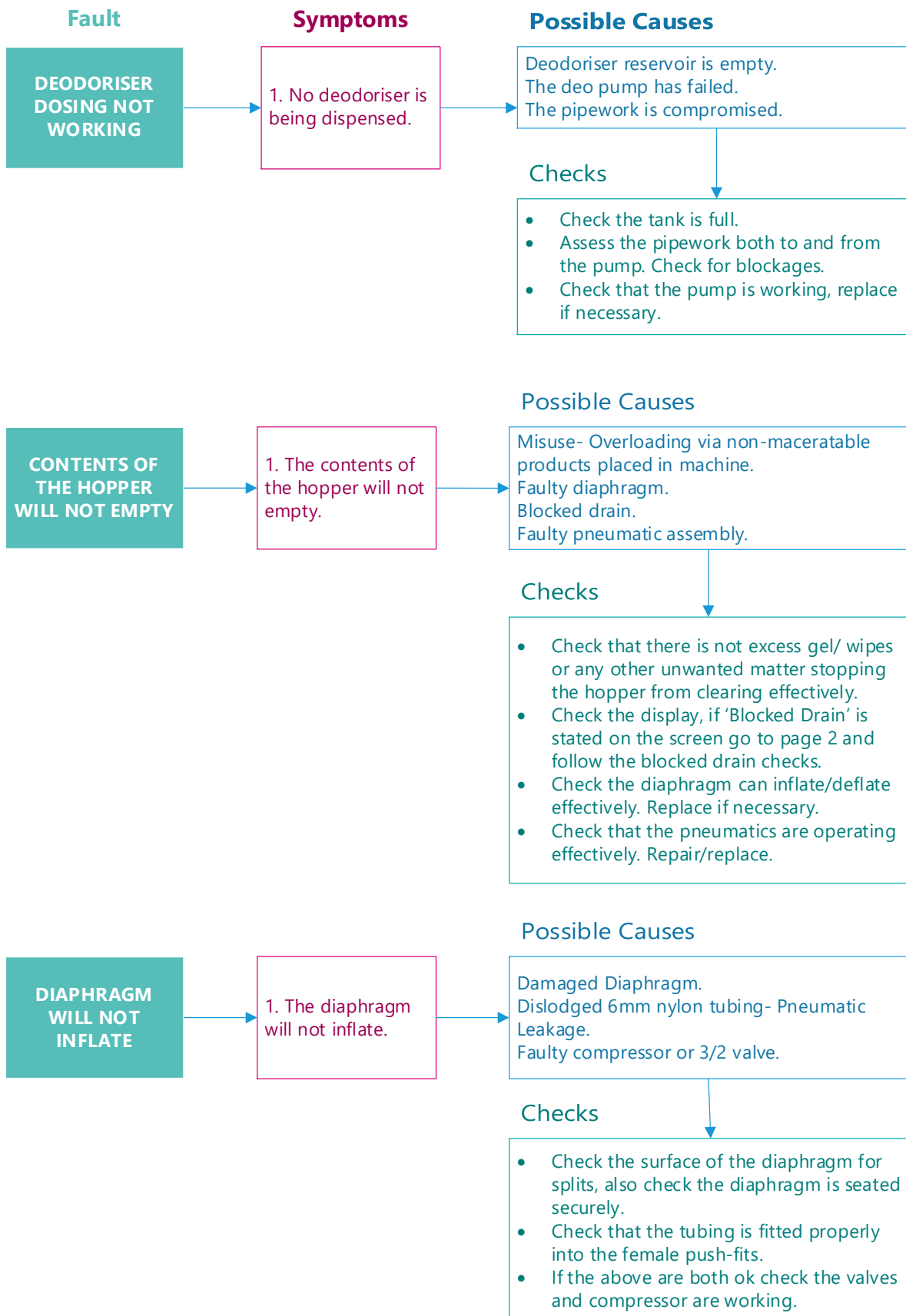












EBOS HEALTHCARE:

300 Victoria Street,
Wetherill Park,
NSW 2164

Free Phone: 1800 269 534

Free Fax: 1800 810 257

Email: customerservice@ebosgroup.com.au

Online Ordering: www.eboshealthcare.com.au

WAREHOUSE LOCATIONS:

New South Wales:

300 Victoria Street,
Wetherill Park,
NSW 2164

Queensland:

Unit 2, 39 Distribution Street
Motorway Business Park
Larapinta
QLD 4110

Victoria:

Unit 2A, 1508 Centre Road
Clayton Business Park
Clayton
VIC 3168

Western Australia:

2/3 Ernest Clark Road
Canning Vale
WA 6155

South Australia:

75-83 Hardys Road
Underdale
SA 5032

Tasmania:

7A Pear Avenue
Derwent Park
TAS 7009



ESSENTIAL TO HEALTH