



ULED EXAMINATION LIGHT

The sleek, low profile ULED brings examination lighting into the future.

Cost-effective yet built to last, ULED's ingenious floating spring arm enables intuitive and perfect positioning of its powerful 40,000+ lux @ 1 metre.

ULED comes complete with a fully sealed and touch sensitive membrane switch, making cleaning easy. Plus its push-to-release button to detach the light head from the arm makes upgrade or maintenance possible without a technician.



TOUCH MEMBRANE SWITCH

STAY SAFE

ULED's touch membrane switch gives quick access to ON/OFF and 4 stage dimming control. And with its easy-wipe and IP65-rated head, superior infection control has never been easier.

DESIGNED AND MADE IN AUSTRALIA



ULED is the proud result of over 50 years of Australian research and development in medial lighting. ULED is designed and manufactured entirely in Australia and built to conform to and exceed rigorous Australian standards and testing.

A LIGHT FOR PEACE OF MIND

We stand behind our design and manufacturing process with an industry leading 5 year warranty.



PRODUCT HIGHLIGHTS

- Powerful and cool-to-touch LED light
- High visibility: High CRI; and 4000K plus Cyanosis Compliant
- AkzoNobel BioCote® Antimicrobial silver ion technology coating
- Low-profile, Easy-clean head with ON/OFF, dimming control, plus push-to-release for easy removal and maintenance
- Affordable, retrofit kit option* for easy upgrade to ULED
- Durable all metal construction

*Available with equivalent existing Planet Lighting fittings only

ULED EXAMINATION LIGHT



APPLICATIONS

- Surgeries
- First Aid Stations
- Intensive Care
- Recovery Rooms
- Emergency Departments
- Diagnostic Specialisations
- Aged Care
- General Practice



CEILING



WALL



EXT. WALL



TWIN



TROLLEY



40KLX LUX 1M



14 WATTS



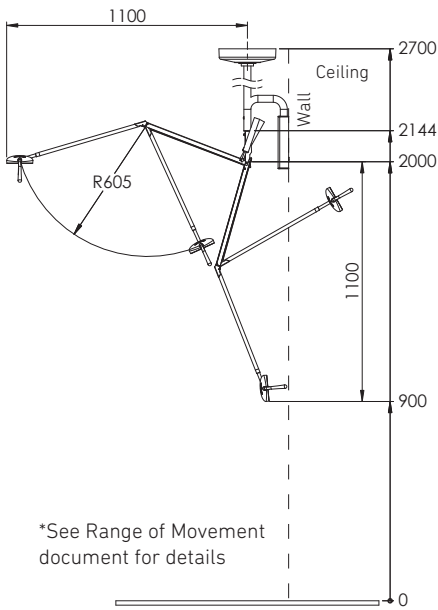
95+ CRI



50000 L70

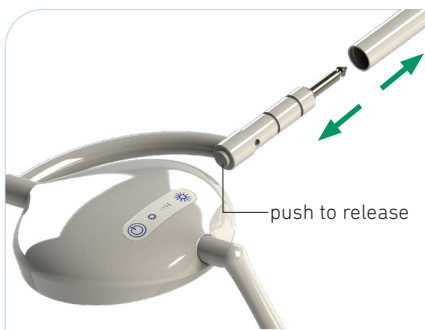


ION



*See Range of Movement document for details

**RANGE OF MOVEMENT
STANDARD CEILING**



QUICK-RELEASE HEAD

ULED's unique push-to-release detachable head makes maintenance easy.

INTUITIVE CONTROL

ULED's ergonomic and ultra-flexible arm action makes perfect positioning a breeze.

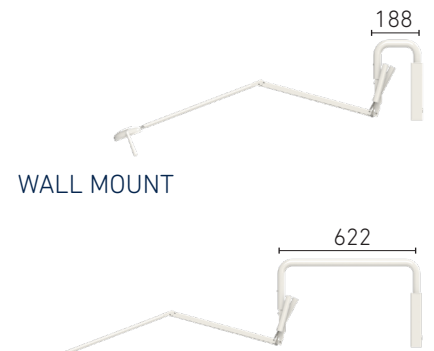
Ceiling mount with integral power supply and Continuous Rotation Device (CRD) head.



CEILING MOUNT

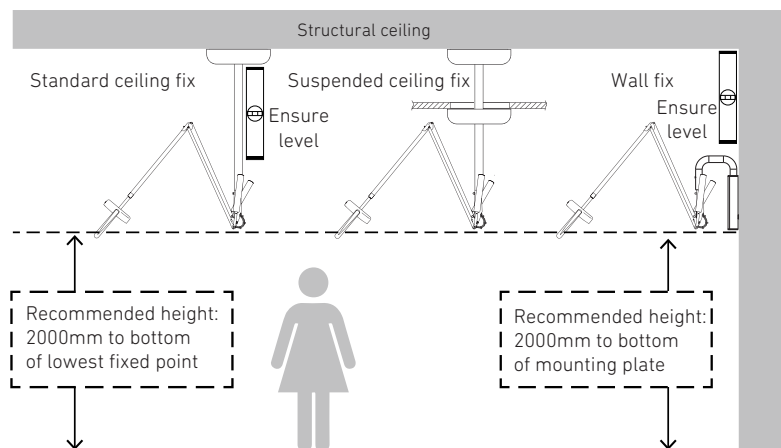


TROLLEY MOUNT



WALL MOUNT

EXTENDED WALL MOUNT



ULED EXAMINATION LIGHT



Cardiac protection models available: Add "CP" to product code.

Example: ULED-UC2700-CP

PRODUCT CODE	DESCRIPTION	POWER
ULED-UC2700 (or custom length: ULED-UCXXXX)	Ceiling mount to suit a standard floor to ceiling fixing point of 2700mm, or specified custom mount length [XXXX]mm , with integral transformer	14W
ULED-UW	Wall mount with integral transformer	14W
ULED-UWEX	Wall mount with extended bracket and integral transformer	14W
ULED-UTLY	Mobile trolley including integral transformer	14W